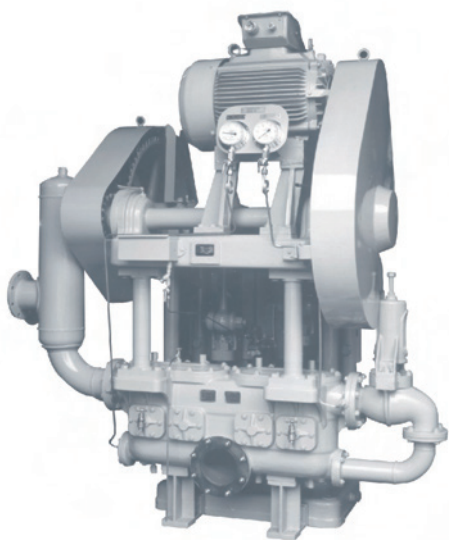


PISTON PUMP PV & PVN Series



PV & PVN SERIES

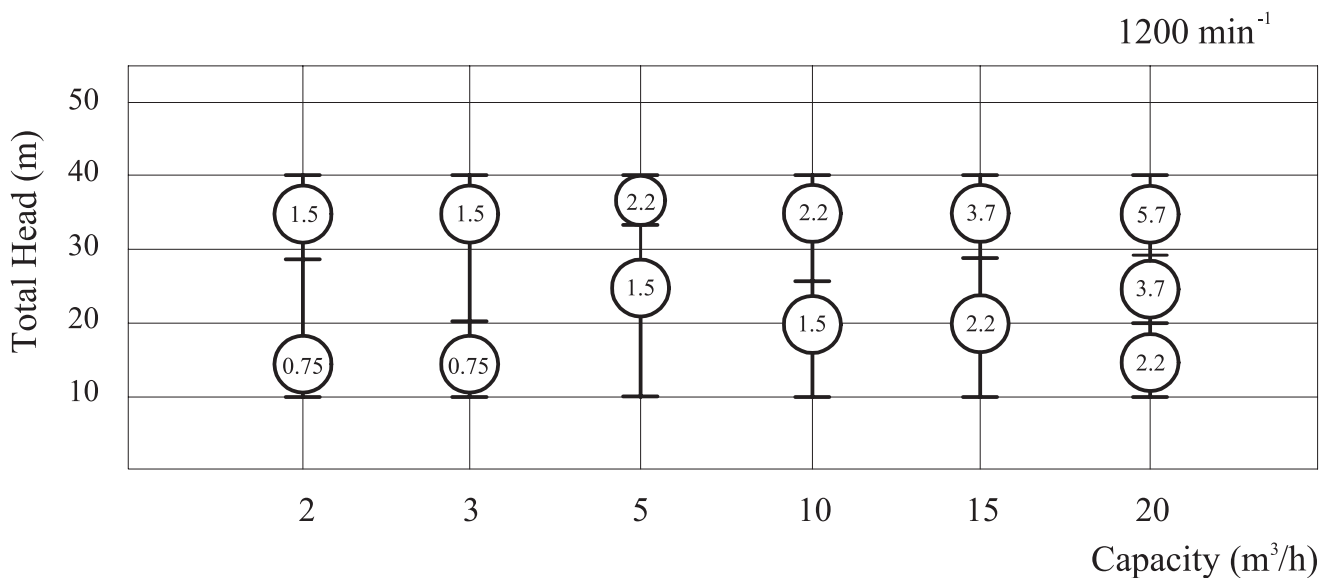
用途/Service

- * ビルジポンプ
- * ポンプルーム用ビルジポンプ
- * その他
- * Bilge Pump
- * Pump-room bilge pump (bulkhead type)
- * others

Note:

- * Excellent quality and performance.
- * Flat valve or ball valve is available.
(Our standard : Synthetic rubber ball valve)
- * Applicable for multi-purpose.
- * Change of material is available according to application.

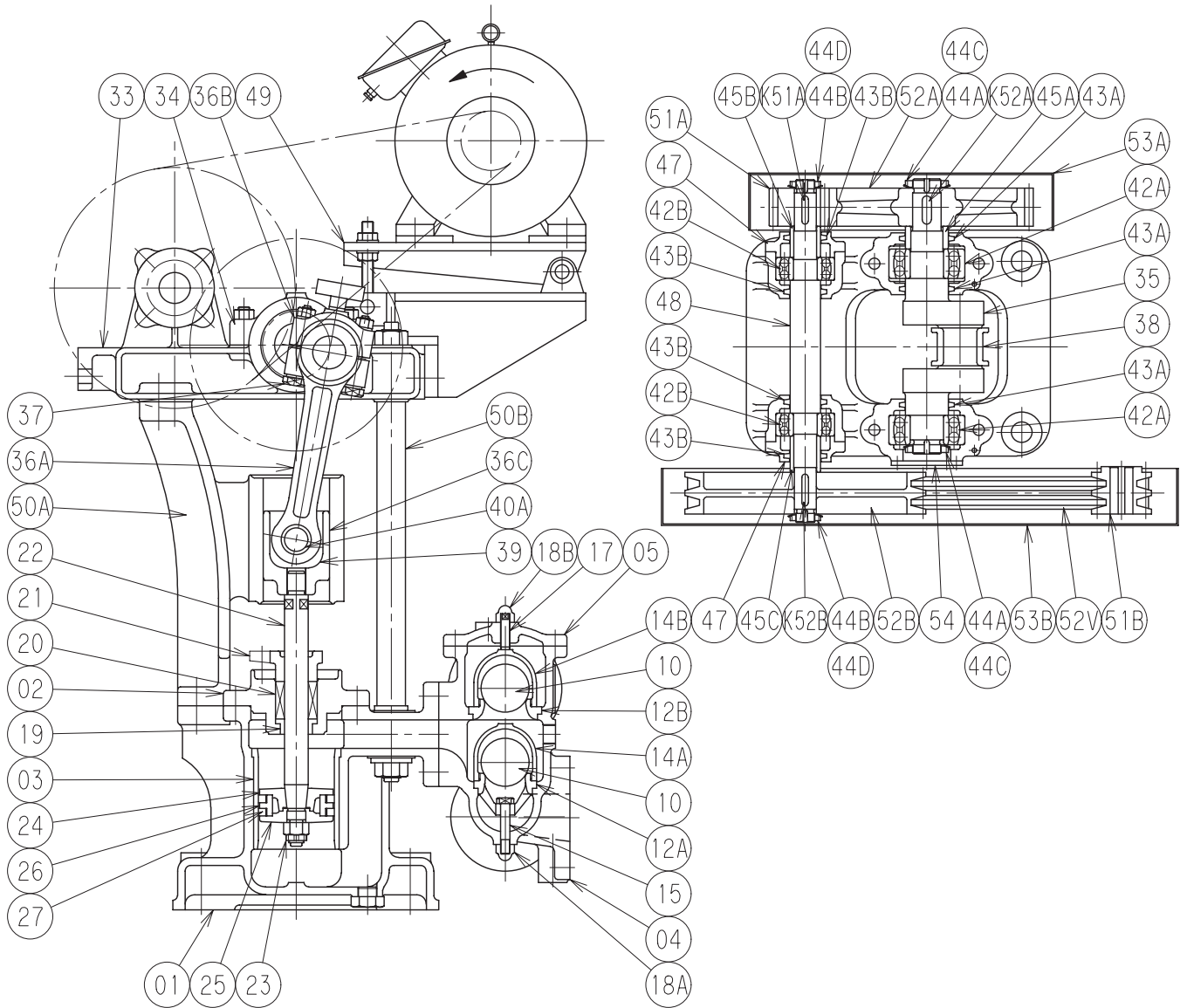
PERFORMANCE CHART



Model PVN-2 PVN-3 PVN-5 PVN-10 PVN-20 PVN-20

Suction Head =Max. -5m

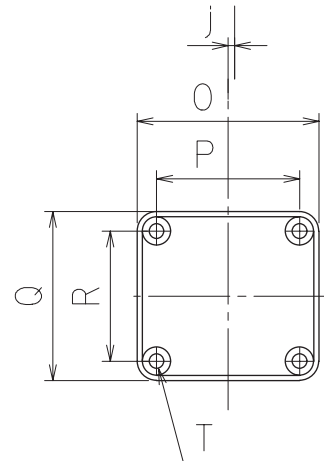
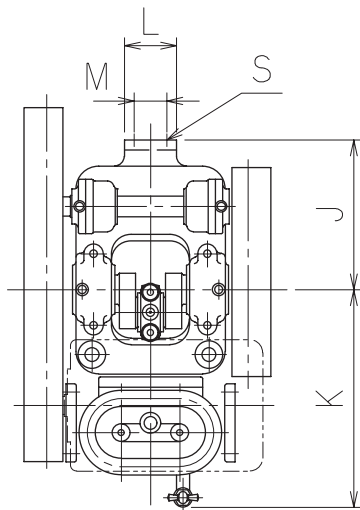
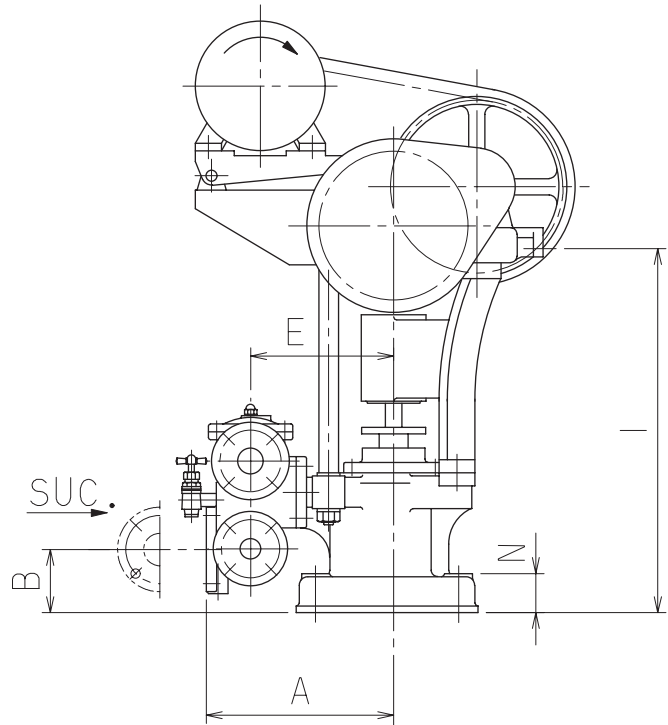
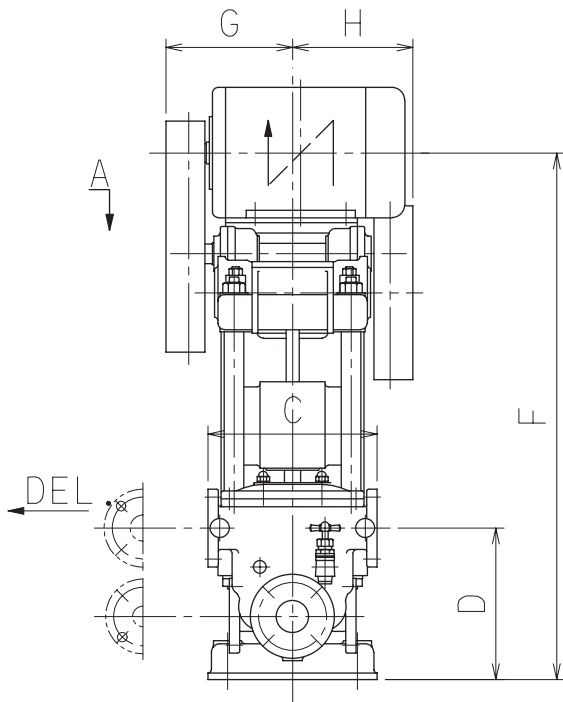
PVN-2/3 MODEL SECTIONAL DRAWING



PART NO.	NAME OF PART	MATERIAL NOMINATION	QTY.
01	Pump Cylinder	Cast Iron	1
02	Pump Cylinder Cover	Cast Iron	1
03	Cylinder Liner	Bronze Casting	1
04	Valve Box	Cast Iron	1
05	Valve Box Cover	Cast Iron	1
10	Pump Valve	Synthetic Rubber	4
12A	Suc.Valve Seat	Bronze Casting	2
12B	Del.Valve Seat	Bronze Casting	2
14A	Suc.Valve Guard	Bronze Casting	2
14B	Del.Valve Guard	Bronze Casting	2
15	Suc.Adust.Bolt	High Tension Brass	2
17	Del.Adust.Screw	Brass	2
18A	Suc.Adust.Nut	Brass	2
18B	Del.Adust.Nut	Brass	2
19	Neck Bush	Leaded Bronze Casting	1
20	Gland Packing	Carbonized Fiber Packing	1 Set
21	Packing Gland	Bronze Casting	1
22	Pump Rod	High Tension Brass	1
23	Pump Rod Nut	High Tension Brass	1
24	Bucket	Bronze Casting	1
25	Bucket Head	Bronze Casting	1
26	Buket Distance Ring	Bronze Casting	1
27	Bucket Ring	BAKELITE	2
33	Crank Frame	Cast Iron	1
34	Crank Frame Cover	Cast Iron	2
35	Crank Shaft	Carbon Steel Forging	1
36A	Connecting Rod	Ductile Cast Iron	1
36B	Connecting Rod Cap	Ductile Cast Iron	1
36C	Connecting Rod Guide	Cast Iron	1
37	Reamer Bolt	Carbon Steel	2

PART NO.	NAME OF PART	MATERIAL NOMINATION	QTY.
38	Crank Pin Brass	Leaded Bronze Casting	1 Set
39	Gudgeon Pin Brass	Phosphor Bronze Casting	1
40A	Gugeon Pin	Carbon Steel Forging	1
42A	Ball Bearing	High Carbon Bear Steel	2
42B	Ball Bearing	High Carbon Bear Steel	2
43A	Felt Ring	Felt	3
43B	Felt Ring	Felt	4
44A	Bearing Nut	Mild Steel	2
44B	Bearing Nut	Mild Steel	2
44C	Bearing Washer	Mild Steel	2
44D	Bearing Washer	Mild Steel	2
45A	Distance Ring (Crank Shaft)	Mild Steel	1
45B	Distance Ring (Pinion)	Mild Steel	1
45C	Distance Ring (1st Gear)	Mild Steel	1
47	Bearing Cover	Cast Iron	2
48	Counter Shaft	Carbon Steel	1
49	Motor Bed	Cast Iron	1
50A	Back Stay	Cast Iron	1
50B	Front Stay	Carbon Steel	2
51A	2nd Pinion	Laminated Plastics	1
51B	Motor Pinion or pulley	Cast Iron	1
52A	2nd Gear	Cast Iron	1
52B	1st Gear or 1st Pulley	Cast Iron	1
52V	V Belt		2
53A	2nd Gear Cover	Mild Steel	1
53B	1nd Gear Cover	Mild Steel	1
K51A	Key For 2nd Pinion	Carbon Steel	1
K52A	Key For 2nd Gear	Carbon Steel	1
K52B	Key For 1st Gear	Carbon Steel	1
54	Bearing Cover	Mild Steel	1

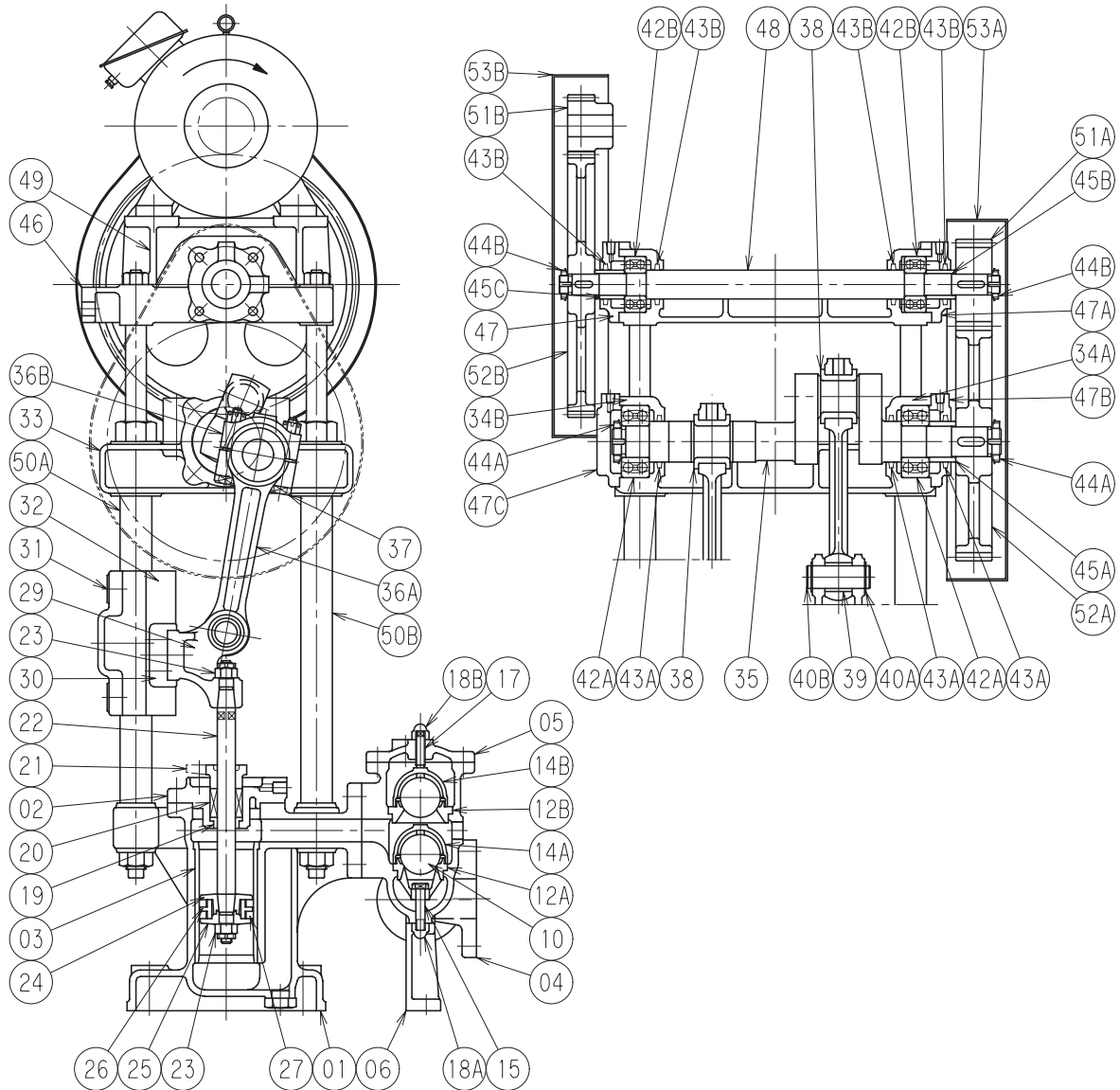
PVN-2/3 MODEL OUTLINE DRAWING



ARROW A

Model	Bore(JIS)		A	B	C	D	E	F	G	H	I	J	K	L	M	N	O	P	Q	R	S	T	j	Mass (kg)
	Suc.	Del.																						
PVN-2	50	40	288	97	260	233	220	809	200	185	560	335	230	80	50	60	280	220	260	200	2-15	4-23	10	185
PVN-3	50	40	288	97	260	233	220	809	200	185	560	335	230	80	50	60	280	220	260	200	2-15	4-23	10	185

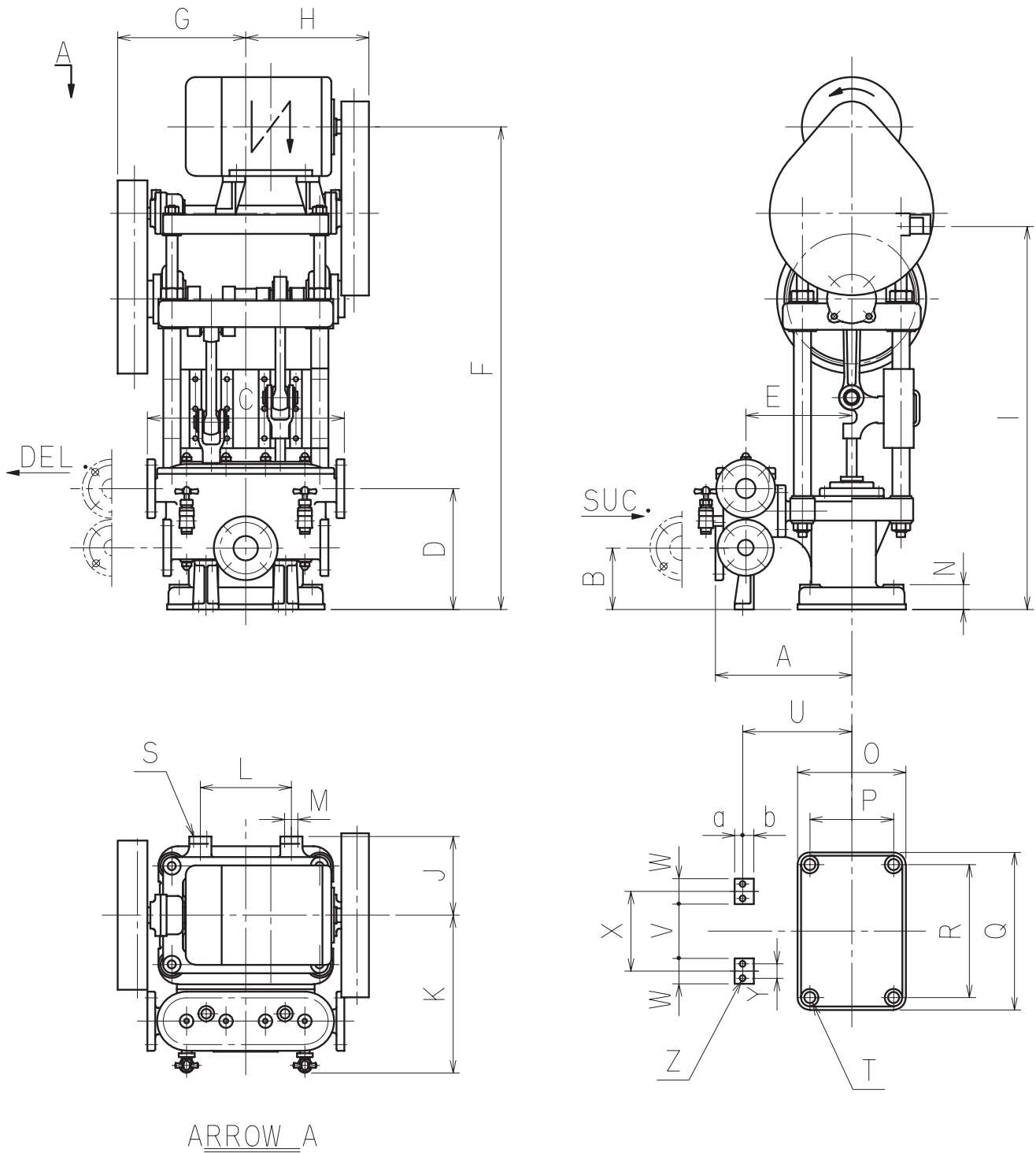
PV&PVN(Others) MODEL SECTIONAL DRAWING



PART NO.	NAME OF PART	MATERIAL NOMINATION	QTY.
01	Pump Cylinder	Cast Iron	1
02	Pump Cylinder Cover	Cast Iron	2
03	Cylinder Liner	Bronze Casting	2
04	Valve Box	Cast Iron	1
05	Valve Box Cover	Cast Iron	1
06	Valve Box Support	Cast Iron	2
10	Pump Valve	Synthetic Rubber	8
12A	Suc.Valve Seat	Bronze Casting	4
12B	Del.Valve Seat	Bronze Casting	4
14A	Suc.Valve Guard	Bronze Casting	4
14B	Del.Valve Guard	Bronze Casting	4
15	Suc.Adust.Bolt	Stainless Steel	4
17	Del.Adust.Screw	Brass	4
18A	Suc.Adust.Nut	Brass	4
18B	Suc.Adust.Nut	Brass	4
19	Neck Bush	Leaded Bronze Casting	2
20	Gland Packing	Carbonized Fiber Packing	2 Sets
21	Packing Gland	Bronze Casting	2
22	Pump Rod	High Tension Brass	2
23	Pump Rod Nut	High Tension Brass	4
24	Bucket	Bronze Casting	2
25	Bucket Head	Bronze Casting	2
26	Buketf Distance Ring	Bronze Casting	2
27	Bucket Ring	BAKELITE	4
29	Cross Head	Ductile Cast Iron	2
30	Cross Head Shoe	Cast Iron	2
31	Cross Guide	Cast Iron	1
32	Cross Head Guide	Cast Iron	4
33	Crank Frame	Cast Iron	1
34A	Crank Frame Cover	Cast Iron	1
34B	Crank Frame Cover	Cast Iron	1
35	Crank Shaft (With Key)	Carbon Steel Forging	1

PART NO.	NAME OF PART	MATERIAL NOMINATION	QTY.
36A	Connecting Rod	Ductile Cast Iron	2
36B	Connecting Rod Cap	Ductile Cast Iron	2
37	Reamer Bolt	Carbon Steel	4 Sets
38	Crank Pin Brass	Leaded Bronze Casting	2 Sets
39	Gudgeon Pin Brass	Phosphor Bronze Casting	2
40A	Gugeon Pin	Carbon Steel Forging	2
40B	Retaining Ring	Carbon Tool Steel	2
42A	Ball Bearing	High Carbon Bear Steel	2
42B	Ball Bearing	High Carbon Bear Steel	2
43A	Felt Ring	Felt	3
43B	Felt Ring	Felt	4
44A	Bearing Nut (With Washer)	Carbon Steel	2
44B	Bearing Nut (With Washer)	Carbon Steel	2
45A	Distance Ring	Mild Steel	1
45B	Distance Ring	Mild Steel	1
45C	Distance Ring	Mild Steel	1
46	Motor Frame	Cast Iron	1
47	Bearing Cover	Cast Iron	1
47A	Bearing Cover	Cast Iron	1
47B	Bearing Cover	Cast Iron	1
47C	Bearing Cover	Cast Iron	1
48	Counter Shaft (With Key)	Carbon Steel	1
49	Motor Bed	Mild Steel	2
50A	Back Stay	Carbon Steel	2
50B	Front Stay	Carbon Steel	2
51A	2nd Pinion	Laminated Plastics	1
51B	Motor Pinion	Laminated Plastics	1
52A	2nd Gear	Cast Iron	1
52B	1st Gear	Cast Iron	1
53A	2nd Gear Cover	Mild Steel	1
53B	1st Gear Cover	Mild Steel	1

PV&PVN(Others) MODEL OUTLINE DRAWING



Model	Bore(JIS)	Suc.	Del.	A	B	C	D	E	F	G	H	I	J	K	L	M	N	O	P	Q	R	S	T	U	V	W	X	Y	Z	a	b	Mass (kg)	
PVN-5	50	40	277	124	400	245	215	979.5	260	250	777	160	320	230	200	—	50	220	170	320	270	2-15	4-23	—	—	—	—	—	—	—	—	—	270
PVN-10	65	50	355	126	550	291	275	1138.5	290	285	948	200	400	310	230	50	60	260	200	360	300	4-15	4-23	—	—	—	—	—	—	—	—	370	
PVN-20	80	65	387	167	600	355	307	1337.5	350	345	1114	250	440	350	250	60	80	336	266	460	390	4-19	4-27	317	140	90	230	50	4-19	25	35	500	