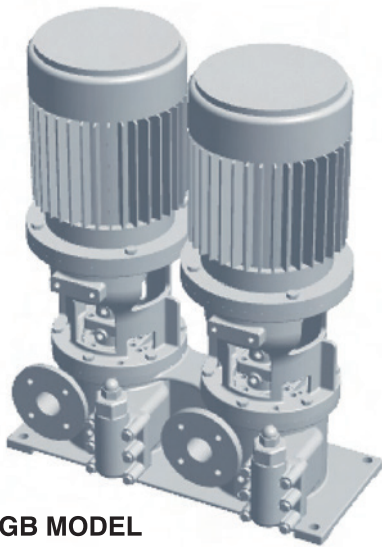


GEAR PUMP TGB Model



TGB MODEL

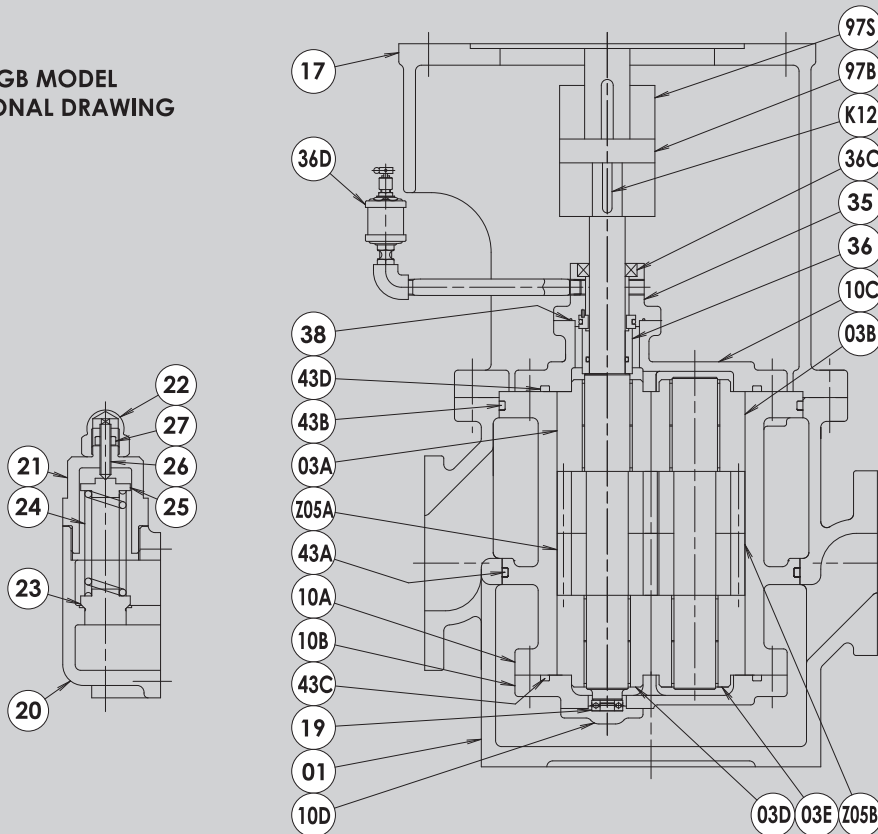
用途/Service

- * 燃料供給ポンプ
- * 燃料循環ポンプ
- * 燃料/潤滑油移送ポンプ
- * その他
- * F.O. SUPPLY (BOOSTER) PUMP
- * F.O. CIRCULATION PUMP
- * F.O. / L.O. TRANS.PUMP
- * OTHERS

特徴/Note

* 従来型=TGモデルも供給可能です。 * Existing Model: TG Model is also capable of supplying

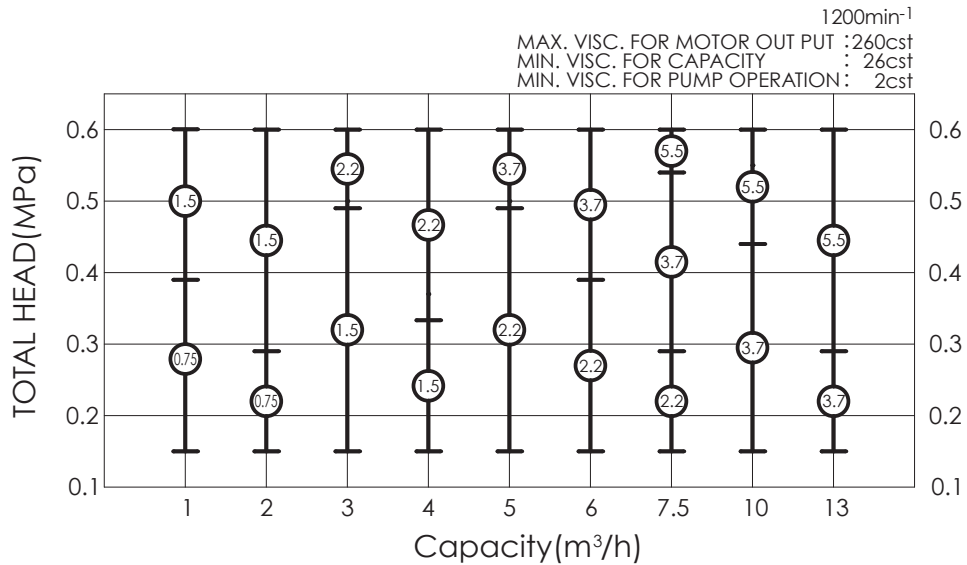
TGB MODEL
SECTIONAL DRAWING



PART NO.	NAME OF PART	MATERIAL NOMINATION	QTY.	
			NO.1	NO.2
01	PUMP CASING	DUCTILE CAST IRON	1	
03A	BEARING BUSH	DUCTILE CAST IRON	1	1
03B	BEARING BUSH	DUCTILE CAST IRON	1	1
03D	BEARING BUSH	DUCTILE CAST IRON	1	1
03E	BEARING BUSH	DUCTILE CAST IRON	1	1
Z05A	PUMP SHAFT with GEAR (MAIN)	CARBON STEEL	1 SET	1 SET
Z05B	PUMP SHAFT with GEAR (COUNTER)	CARBON STEEL	1 SET	1 SET
10A	GEAR CASE	CAST IRON	1	1
10B	GEAR CASE COVER (LOWER)	CAST IRON	1	1
10C	GEAR CASE COVER (UPPER)	DUCTILE CAST IRON	1	1
10D	GEAR CASE FOOT COVER	CAST IRON	1	1
17	MOTOR FRAME	CAST IRON	1	1
19	THRUST BALL BEARING	HIGH CARBON BEAR STEEL	1	1
20	RELIEF VALVE BODY	DUCTILE CAST IRON	1	1
21	RELIEF VALVE COVER	DUCTILE CAST IRON	1	1
22	RELIEF VALVE CAP	MILD STEEL	1	1
23	VALVE	CAST IRON	1	1

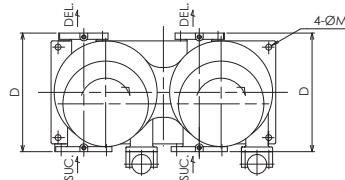
PART NO.	NAME OF PART	MATERIAL NOMINATION	QTY.	
			NO.1	NO.2
24	VALVE SPRING	PIANO WIRE	1	1
25	VALVE GUIDE	MILD STEEL	1	1
26	ADJUSTING BOLT	MILD STEEL	1	1
27	ADJUSTING NUT	MILD STEEL	1	1
35	GLAND COVER	DUCTILE CAST IRON	1	1
36	MECHANICAL SEAL		1 SET	1 SET
36C	OIL SEAL	SYNTHETIC RUBBER	1	1
36D	OILER		1	1
38	O RING	SYNTHETIC RUBBER	1	1
43A	O RING	SYNTHETIC RUBBER	1	1
43B	O RING	SYNTHETIC RUBBER	1	1
43C	O RING	SYNTHETIC RUBBER	1	1
43D	O RING	SYNTHETIC RUBBER	1	1
97B	SPACER	RESIN	1	1
97S	COUPLING COMPLETE	CAST IRON	1 SET	1 SET
K12	KEY FOR COUPLING	CARBON STEEL	1	1

PERFORMANCE CHART

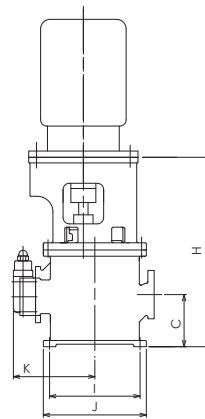
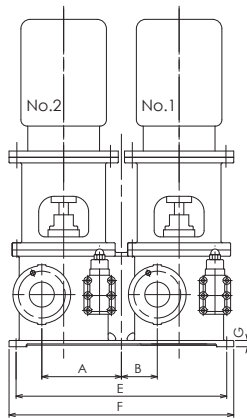


MODEL	TGB50				TGB80			
	-501	-502	-503	-601	-602	-701	-702	-801

OUTLINE DRAWING



TGB MODEL



Model	Capacity (m³/h) (26cSt)	Motor (kW) ₈₁ (260cSt)	Casing Bore(JIS)		A	B	C	D	E	F	G	H	I	J	K	M	Weight (Kg)
			Suc.	Del.													
TGB50-501	1	0.75 1.5	50	32	220	90	140	300	600	650	20	456	230	270	225	19	185
TGB50-502	2	0.75 1.5	50	32	220	90	140	300	600	650	20	456	230	270	225	19	185
TGB50-503	3	1.5 2.2	50	32	220	90	140	300	600	650	20	456	230	270	225	19	185
TGB50-601	4	1.5 2.2	50	32	220	90	140	300	600	650	20	456	230	270	225	19	185
TGB50-602	5	2.2 3.7	50	32	220	90	140	300	600	650	20	456	230	270	225	19	185
TGB80-701	6	2.2 3.7	80	50	255	115	167	380	675	720	20	607	290	330	260	19	200
TGB80-702	7.5	2.2 3.7 5.5	80	50	255	115	167	380	675	720	20	607	290	330	260	19	200
TGB80-801	10	3.7 5.5	80	50	255	115	167	380	675	720	20	607	290	330	260	19	200
TGB80-802	13	3.7 5.5	80	50	255	115	167	380	675	720	20	607	290	330	260	19	200

※ 1. Oil Viscosity : Design base for motor output