

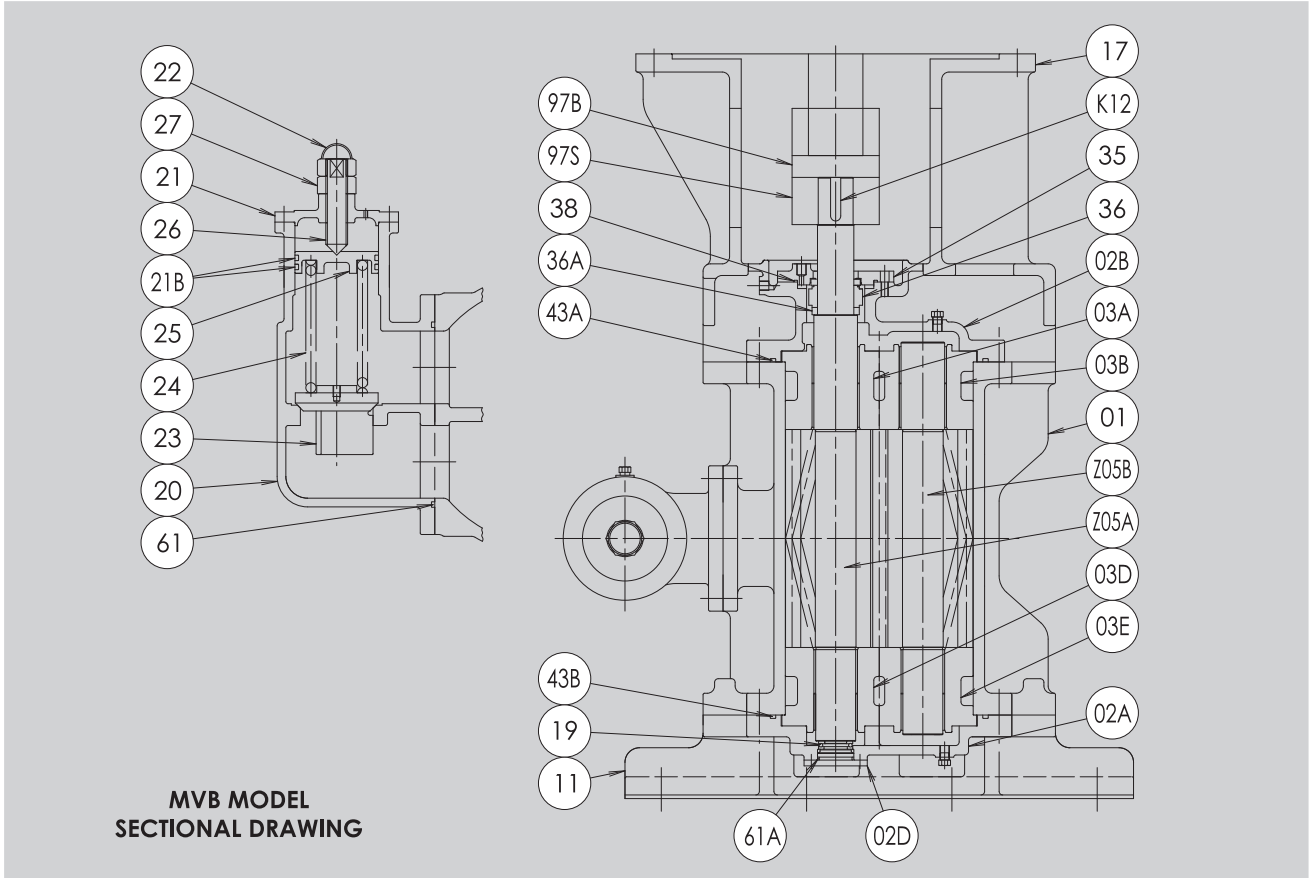
GEAR PUMP MVB/MV Model



MVB/MV MODEL

用途/Service

- * 燃料油移送ポンプ
- * F.O. TRANSFER PUMP
- * 潤滑油移送ポンプ
- * L.O. TRANSFER PUMP
- * その他
- * OTHERS

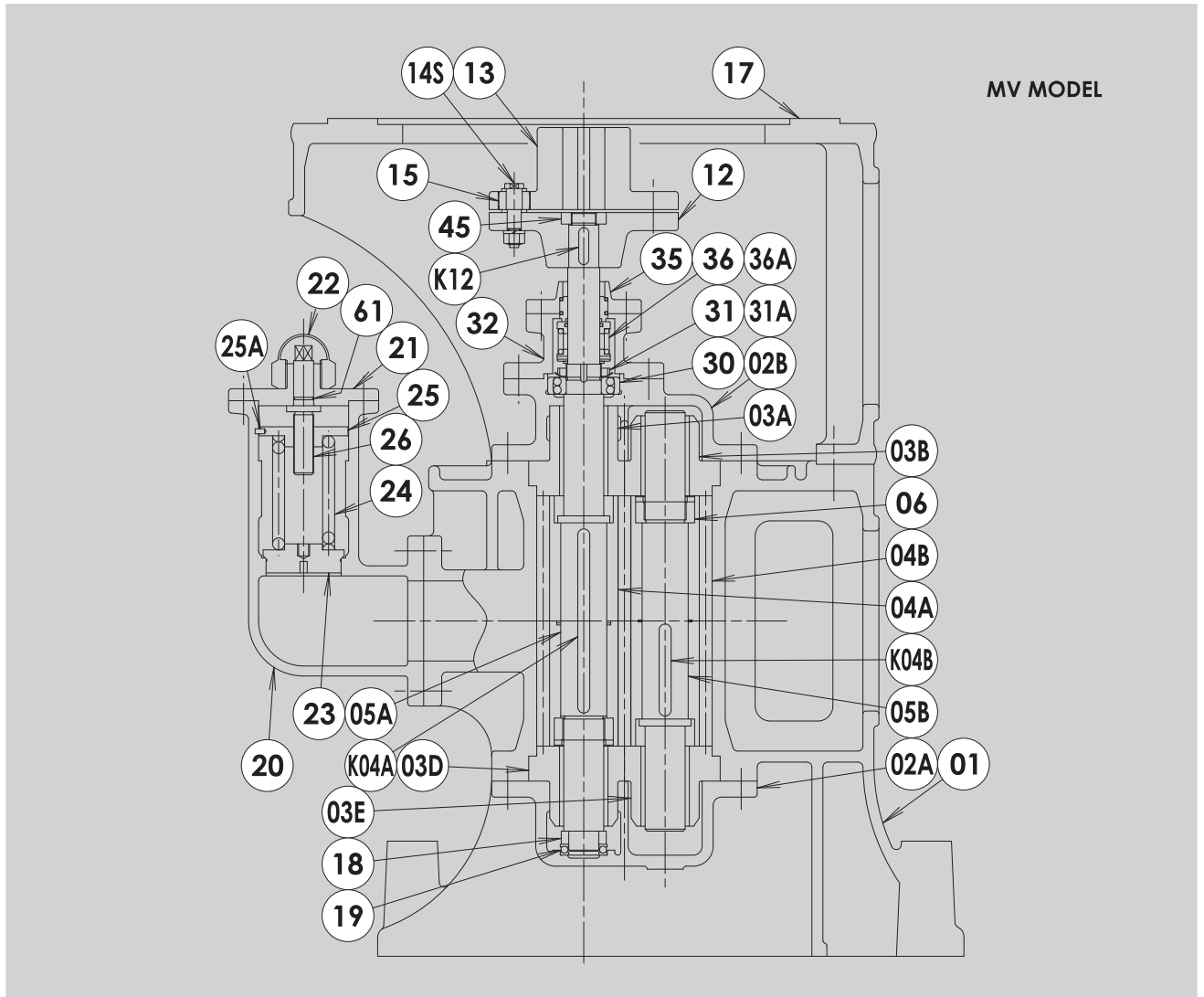


MVB MODEL
SECTIONAL DRAWING

PART NO.	NAME OF PART	MATERIAL NOMINATION	QTY.
01	PUMP CASING	CAST IRON	1
02A	SIDE COVER	CAST IRON	1
02B	SIDE COVER	CAST IRON	1
02D	SIDE COVER CAP	CAST IRON	1
03A	BEARING BUSH	DUCTILE CAST IRON	1
03B	BEARING BUSH	DUCTILE CAST IRON	1
03D	BEARING BUSH	DUCTILE CAST IRON	1
03E	BEARING BUSH	DUCTILE CAST IRON	1
Z05A	PUMP SHAFT with gear (MAIN)	CARBON STEEL	1 SET
Z05B	PUMP SHAFT with gear (COUNTER)	CARBON STEEL	1 SET
11	PUMP BED	CAST IRON	2
17	MOTOR FRAME	CAST IRON	1
19	THRUST BALL BEARING	HIGH CARBON BEAR STEEL	1
20	RELIEF VALVE BODY	CAST IRON	1
21	RELIEF VALVE COVER	CAST IRON	1
21B	O RING	SYNTHETIC RUBBER	2
22	RELIEF VALVE CAP	MILD STEEL	1

PART NO.	NAME OF PART	MATERIAL NOMINATION	QTY.
23	VALVE	CAST IRON	1
24	VALVE SPRING	SPRING STEEL	1
25	VALVE GUIDE	CAST IRON	1
26	ADJUSTING BOLT	MILD STEEL	1
27	ADJUSTING NUT	MILD STEEL	1
35	GLAND COVER	CAST IRON	1
36	MECHANICAL SEAL		1 SET
36A	MECHANICAL SEAL STOPPER	MILD STEEL	1
38	O RING	SYNTHETIC RUBBER	1
43A	O RING	SYNTHETIC RUBBER	1
43B	O RING	SYNTHETIC RUBBER	1
61	O RING	SYNTHETIC RUBBER	1
61A	O RING	SYNTHETIC RUBBER	1
97S	COUPLING		1 SET
97B	SPACER	RESIN	1
K12	KEY FOR COUPLING	CARBON STEEL	1

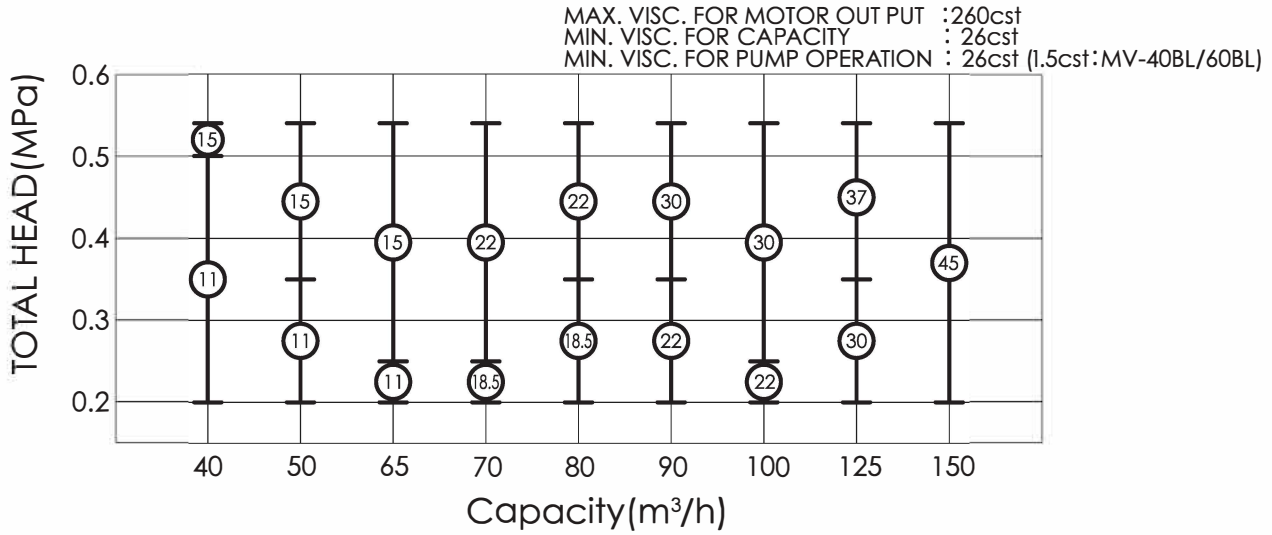
SECTIONAL DRAWING



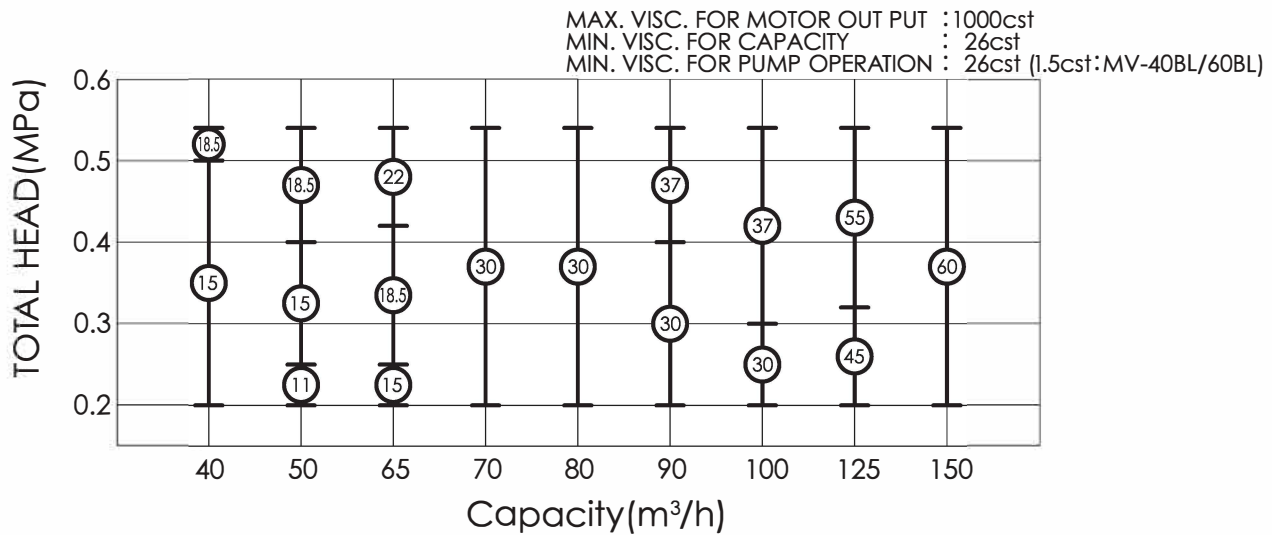
PART NO.	NAME OF PART	MATERIAL NOMINATION	QTY.
01	PUMP CASING	CAST IRON	1
02A	SIDE COVER	CAST IRON	1
02B	SIDE COVER	CAST IRON	1
03A	BEARING BUSH	CAST IRON	1
03B	BEARING BUSH	CAST IRON	1
03D	BEARING BUSH	CAST IRON	1
03E	BEARING BUSH	CAST IRON	1
04A	GEAR WHEEL (MAIN)	CARBON STEEL	1 SET
04B	GEAR WHEEL (COUNTER)	CARBON STEEL	1 SET
05A	PUMP SHAFT (MAIN)	CARBON STEEL	1
05B	PUMP SHAFT (COUNTER)	CARBON STEEL	1
06	GEAR NUT	MILD STEEL	2
12	FLEXIBLE COUPLING (PUMP)	CAST IRON	1
13	FLEXIBLE COUPLING (MOTOR)	CAST IRON	1
14S	COUPLING BOLT COMPLETE	MILD STEEL	1 SET
15	BUFFER RING	SYNTHETIC RUBBER	1 SET
17	MOTOR FRAME	CAST IRON	1
18	ADJUSTING RING	MILD STEEL	1
19	THRUST BALL BEARING	HIGH CARBON BEAR STEEL	1
20	RELIEF VALVE BODY	CAST IRON	1

PART NO.	NAME OF PART	MATERIAL NOMINATION	QTY.
21	RELIEF VALVE COVER	CAST IRON	1
22	RELIEF VALVE CAP	MILD STEEL	1
23	VALVE	CAST IRON	1
24	VALVE SPRING	SPRING STEEL	1
25	VALVE GUIDE	MILD STEEL	1
25A	SPRING PIN	STAINLESS STEEL	1
26	ADJUSTING BOLT	MILD STEEL	1
30	BALL BEARING	HIGH CARBON BEAR STEEL	1
31	BEARING NUT	MILD STEEL	1
31A	BEARING WASHER	MILD STEEL	1
32	GLAND CASE	CAST IRON	1
35	GLAND COVER	BRONZE CASTING	1
36	MECHANICAL SEAL		1 SET
36A	MECHANICAL STOPPER	STAINLESS STEEL	1
45	COUPLING NUT	CARBON STEEL	1
61	O RING	SYNTHETIC RUBBER	1
K04A	KEY FOR MAIN GEAR	CARBON STEEL	1
K04B	KEY FOR COUNTER GEAR	CARBON STEEL	1
K12	KEY FOR COUPLING	CARBON STEEL	1

PERFORMANCE CHART

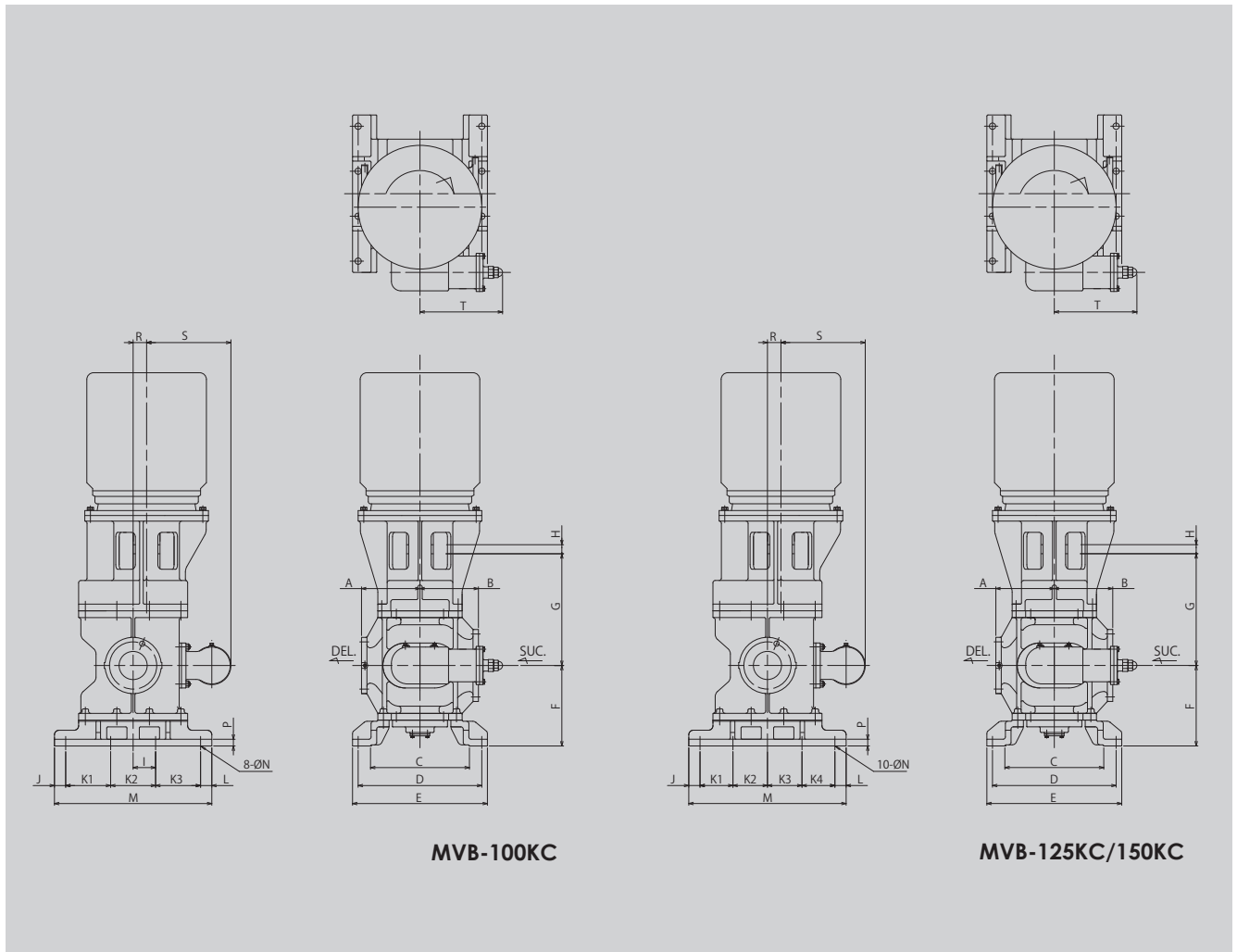


MODEL	MV 1200min ⁻¹				MV 900min ⁻¹	MVB 900min ⁻¹			
		-40B(L)	-60B(L)	-60B	-75B	-80C	-100KC	-100KC	-125KC



MODEL	MV 1200min ⁻¹				MV 900min ⁻¹	MVB 900min ⁻¹			
		-40B(L)	-60B(L)	-60B	-75B	-80C	-100KC	-100KC	-125KC

OUTLINE DRAWING



MVB-100KC

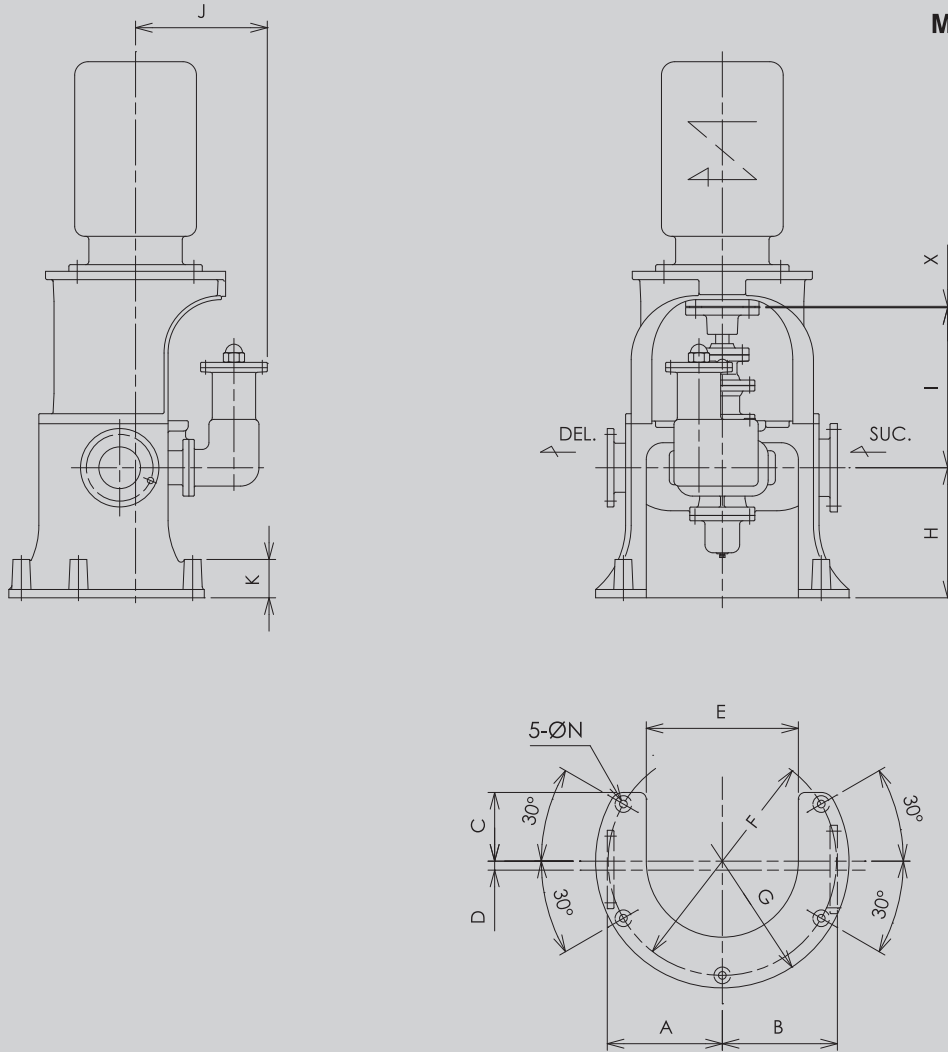
MVB-125KC/150KC

MODEL	Capacity (m ³ /h) (26cSt)	Motor (kW) ^{※1}		Casing Bore(JIS)		A	B	C	D	E	F	G	H	I	J	K1	K2	K3	K4	L	M	N	P	R	S	T	Weight (Kg)
		(260cSt)	(1000cSt)	Suc.	Del.																						
MVB-100KC	90	22	30	200	125	260	260	440	550	600	358	497	30	100	50	200	200	200		50	700	28	30	60	375	373	700
	100	30	37																								
MVB-125KC	125	30	45	225	175	350	280	485	595	645	430	360	45		50	180	180	180	180	50	820	28	30	60	481	373	900
		37	55																								
MVB-125KC	150	45	60	225	175	350	280	485	595	645	430	360	45		50	180	180	180	180	50	820	28	30	60	481	373	900

※1. Oil Viscosity : Design base for motor output

OUTLINE DRAWING

MV MODEL



MODEL	Capacity (m ³ /h) (26cSt)	Motor (kW) _{※1}		Casing Bore(JIS)		A	B	C	D	E	F	G	H	I	J	K	N	X	Weight (Kg)
		(260cSt)	(1000cSt)	Suc.	Del.														
MV-40B(L)	40	11	15	125	100	345	345	206	40.5	456	685	760	350	365	355	115	27	3	420
		15	18.5																
MV-60B(L)	50 65	11	15	150	125	345	345	206	47.5	456	685	760	390	450	380	115	27	4	490
		15	18.5 22																
MV-75B	70	18.5 22	30	150	125	405	405	206	47.5	456	685	760	405	465	395	115	27	4	510

※1. Oil Viscosity : Design base for motor output

MODEL	Capacity (m ³ /h) (26cSt)	Motor (kW) _{※1}		Casing Bore(JIS)		A	B	C	D	E	F	G	H	I	J	K	N	X	Weight (Kg)
		(260cSt)	(1000cSt)	Suc.	Del.														
MV-80C	80	18.5 22	30	150	125	360	360	185	63	530	780	840	420	460	485	80	24	4	700

※1. Oil Viscosity : Design base for motor output