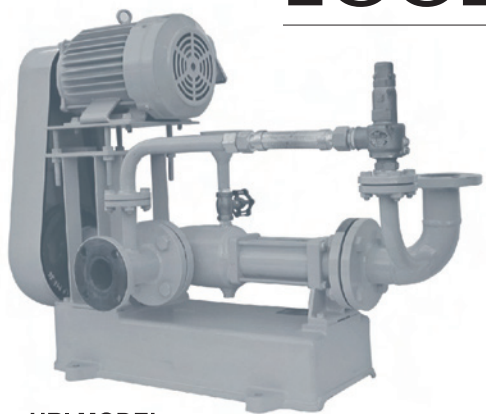


ECCENTRIC SCREW PUMP

HRI Model



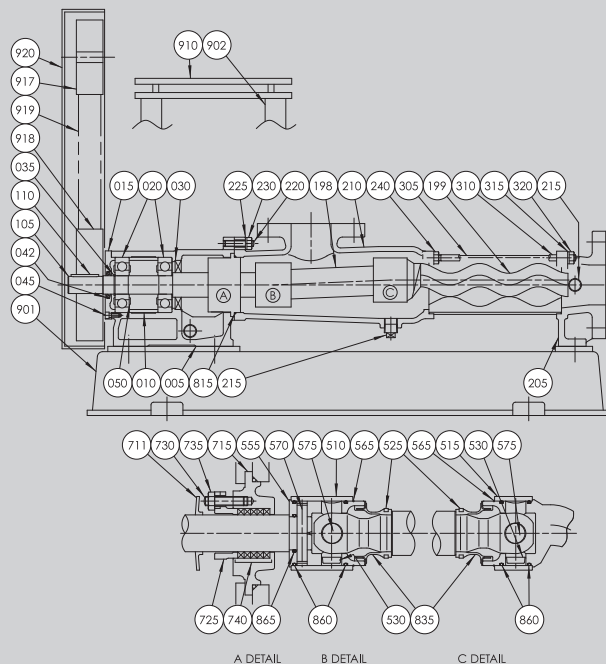
HRI MODEL

Application

- *ビルジポンプ
- *スラッジポンプ
- *その他
- * Bilge Pump
- * Sludge Pump
- * others

Note:

- * No pulsation and noiseless drive with steady flow.
- * Suitable for high viscosity & concentration liquid including Sludge.
- * A available for both normal and reverse drive.
- * Simple construction with minimum components.
- * A available for liquid of Max temp. up to 90°C by standard material.

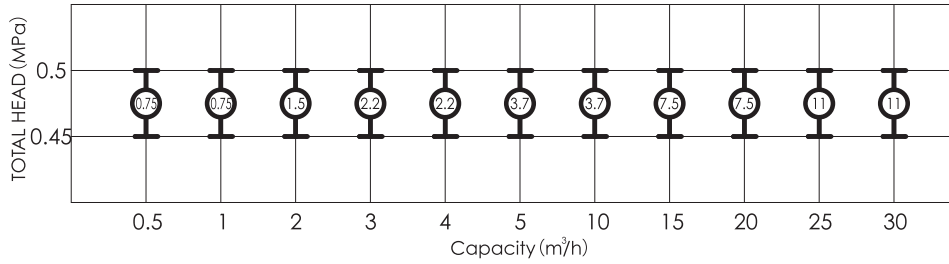


PART NO.	NAME OF PART	MATERIAL		QTY.
		NOMINATION	SYMBOL	
005	BEARING HOUSING	CAST IRON	FC200	1
010	DISTANCE BUSH	CARBON STEEL	STGP	1
015	BEARING COVER	ALUMINUM ALLOY	A6061	1
020	BALL BEARING	HIGH CARBON BEAR STEEL	SUJ2	2
030	OIL SEAL	SYNTHETIC RUBBER		1
035	L RING	SPRING STEEL	SUP	1
042	ZF SEAL	SYNTHETIC RUBBER		1
045	SOCKET HEAD SCREW	CR-MO STEEL	SCM435	6
050	NILOS RING	HOT-DIP ZINC-CAOTED STEEL	SGHC	3
105	DRIVE SHAFT	STAINLESS STEEL	SUS304	1
110	KEY	CARBON STEEL	S45C	1
198	COUPLING ROD	STAINLESS STEEL	SUS304	1
199	ROTOR	STAINLESS STEEL	SUS304	1
205	END STUD	CAST IRON	FC200	1
210	CASING	CAST IRON	FC200	1
215	PLUG	MALLEABLE IRON CASTING	FCMB	3
220	STUD BOLT	STAINLESS STEEL	SUS304	4
225	SPRING WASHER	STAINLESS STEEL	SUS304	4
230	NUT	STAINLESS STEEL	SUS304	4
240	NUT	STAINLESS STEEL	SUS304	4
305	STATOR	SYNTHETIC RUBBER		1
310	STAY BOLT	STAINLESS STEEL	SUS304	4
315	SPRING WASHER	STAINLESS STEEL	SUS304	4
320	NUT	STAINLESS STEEL	SUS304	4
510	SAFETY SLEEVE	STAINLESS STEEL	SUS316	1

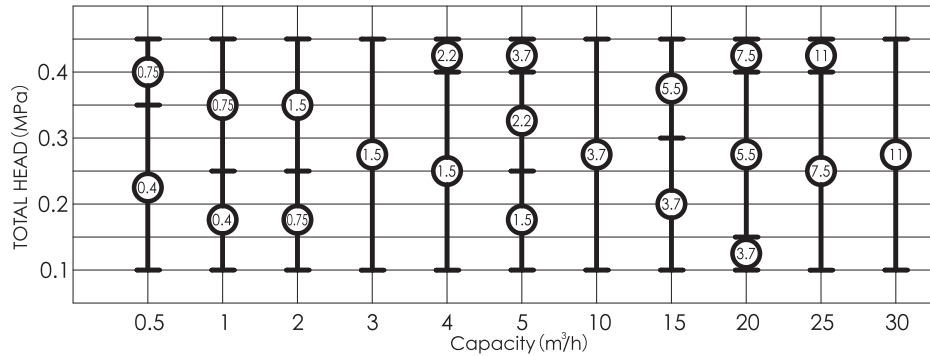
PART NO.	NAME OF PART	MATERIAL		QTY.
		NOMINATION	SYMBOL	
515	SAFETY SLEEVE	STAINLESS STEEL	SUS316	1
525	CLAMP RING	STAINLESS STEEL	SUS316	2
530	CAP	POLYETHYLENE		2
555	CONNECTING SLEEVE	STAINLESS STEEL	SUS304	1
565	CIRCRIP	STAINLESS STEEL	SUS316	2
570	CYLINDRICAL PIN	HIGH CARBON BEAR STEEL	SUJ2	1
575	JOINT PIN	HIGH CARBON BEAR STEEL	SUJ2	2
711	WATER SHELTER	SYNTHETIC RUBBER	EPDM	1
715	STUFFING BOX	CAST IRON	FC200	1
725	PACKING GLAND	STAINLESS STEEL CASTING	SCS14	1
730	STUD BOLT	STAINLESS STEEL	SUS304	2
735	NUT	STAINLESS STEEL	SUS304	2
740	GLAND PACKING	ARAMID FIBER		1set
815	O RING	SYNTHETIC RUBBER		1
835	PA SEAL	SYNTHETIC RUBBER		2
860	O RING	SYNTHETIC RUBBER		4
865	O RING	SYNTHETIC RUBBER		1
901	PUMP BED	CAST IRON	FC200	1
902	MOTOR BED BASE	MILD STEEL	SS400	1
910	MOTOR BED	MILD STEEL	SS400	1
917	V PULLEY (M)	CAST IRON	FC150	1
918	V PULLEY (P)	CAST IRON	FC150	1
919	V BELT	SYNTHETIC RUBBER		1set
920	PULLEY COVER	MILD STEEL	SS400	1

PERFORMANCE CHART

1200min⁻¹
 SUCTION HEAD MAX. : -0.05MPa
 MAX. VISC. FOR MOTOR OUT PUT : 2000cst
 MIN. VISC. FOR CAPACITY : 1cst

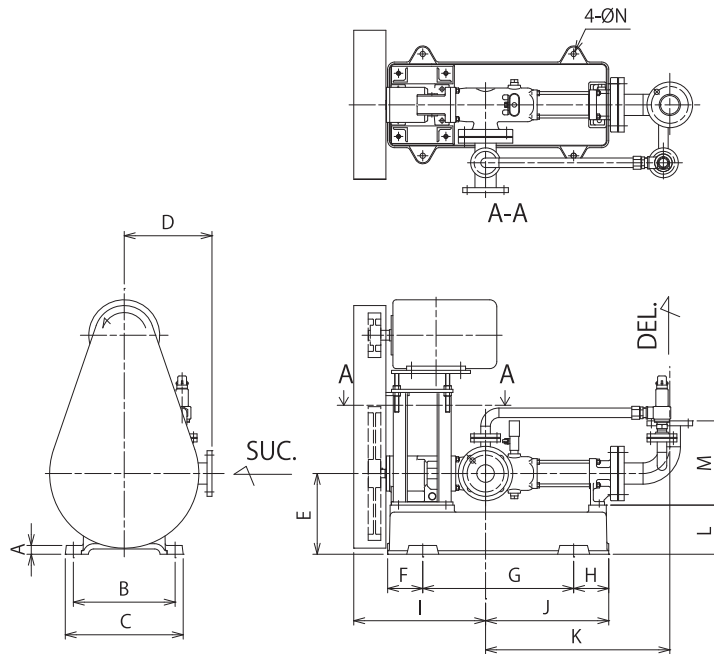


MODEL	2HRI										
	-20D	-20D	-30D	-30D	-30D	-40D	-40D	-50D	-50D	-60D	-60D



MODEL	HRI										
	-20D	-20D	-30D	-30D	-30D	-40D	-40D	-50D	-50D	-60D	-60D

OUTLINE DRAWING



Model	Bore(JIS)		A	B	C	D	E	F	G	H	I	J	K	L	M	N	Weight (Kg)
	Suc.	Del.															
HRI-20D	5K-32	5K-32	25	250	296	200	195	100	310	100	316.6	270	365	105	190	15	75
HRI-30D	5K-50	5K-50	25	290	336	250	230	100	430	100	375.6	351	525	140	240	15	112
HRI-40D	5K-65	5K-65	25	340	386	270	235	105	585	105	441.6	460	650	135	270	15	150