

CENTRIFUGAL PUMP

CENTRIFUGAL PUMP

WYU/WYH/WY Model



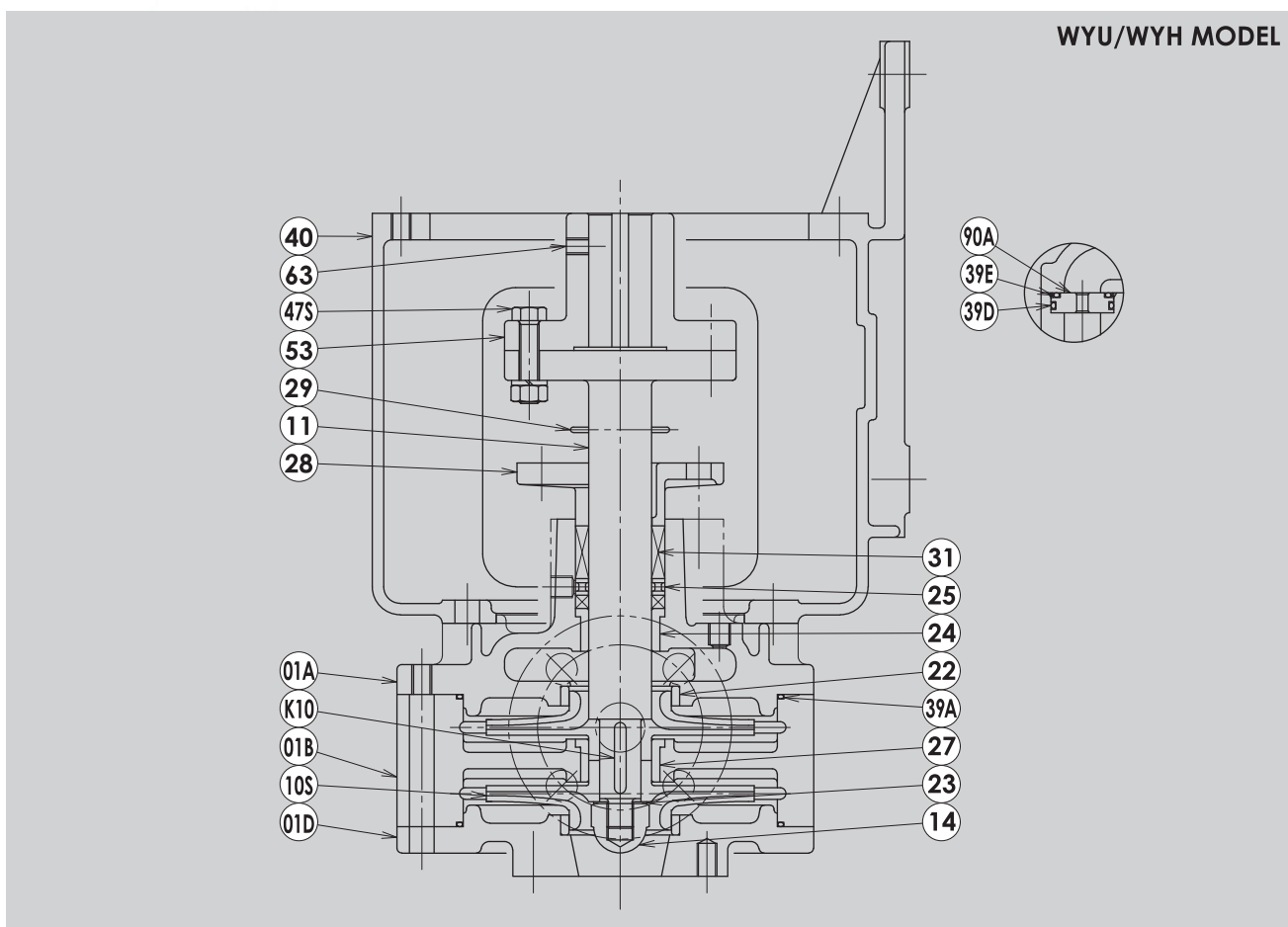
WYU MODEL

用途/Service

- * ボイラー給水ポンプ
- * その他
- * Boiler Feed Water Pump
- * Others

特徴/Note

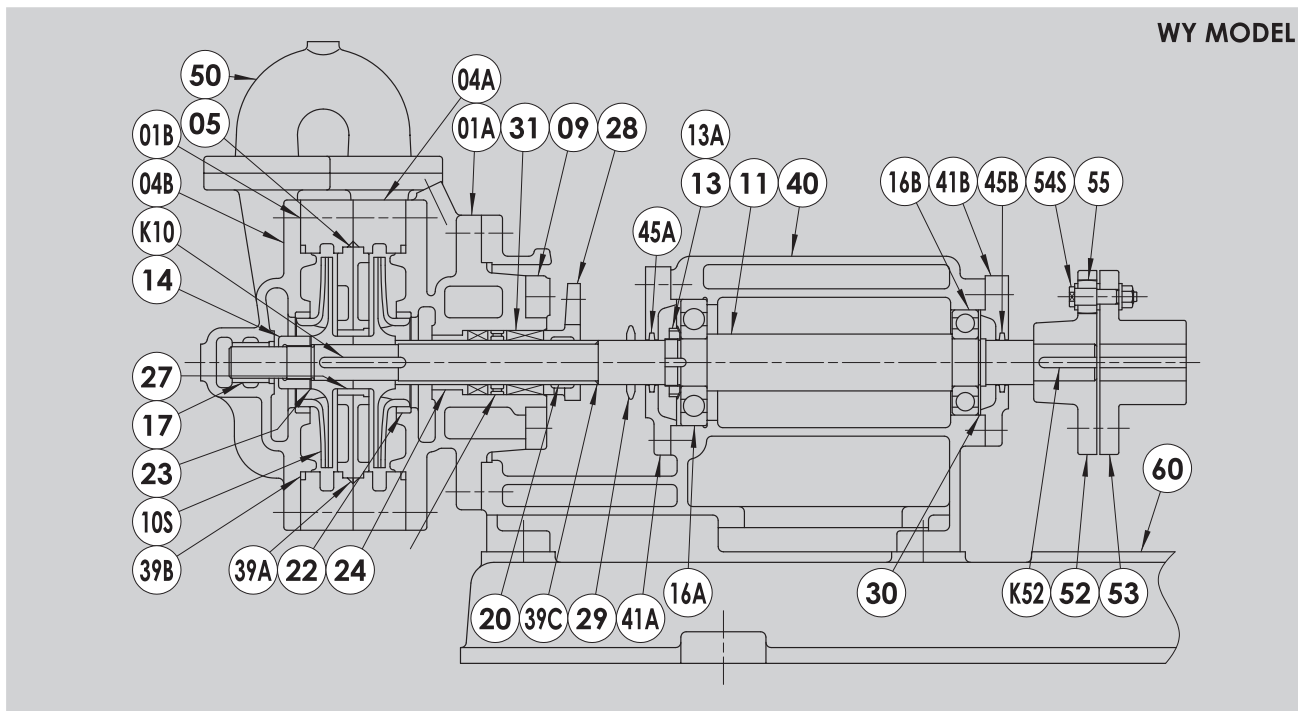
- * 横置き、縦型壁掛式の兼用モデル
- * 縦型壁掛式：WYU
- * 横置き：WYH
- * This model is available for both Horizontal and Vertical wall mount installation.
- * Vertical wall mount type : WYU
- * Horizontal type : WYH



WYU/WYH MODEL

| PART NO. | NAME OF PART | MATERIAL NOMINATION | QTY. |
|----------|-------------------|-------------------------|-------|
| 01A | Suction Casing | Cast Iron | 1 |
| 01B | Delivery Casing | Cast Iron | 1 |
| 01D | Casing Cover | Cast Iron | 1 |
| 10S | Impeller Complete | Phosphor Bronze Casting | 1 Set |
| 11 | Pump Shaft | Stainless Steel | 1 |
| 14 | Impeller Nut | High Tension Brass | 1 |
| 22 | Mouth Ring | Leaded Bronze Casting | 2 |
| 23 | Impeller Washer | Stainless Steel | 1 |
| 24 | Neck Bush | Laminated Plastics | 1 |
| 25 | Seal Cage | Leaded Bronze Casting | 1 |
| 27 | Stage Bush | Laminated Plastics | 1 |
| 28 | Packing Gland | Bronze Casting | 1 |

| PART NO. | NAME OF PART | MATERIAL NOMINATION | QTY. |
|----------|----------------------|--------------------------|-------|
| 29 | Water Shelter | Brass | 1 |
| 31 | Gland Packing | Carbonized Fiber Packing | 1 Set |
| 39A | O Ring | Synthetic Rubber | 2 |
| 39D | O Ring | Synthetic Rubber | 1 |
| 39E | O Ring | Synthetic Rubber | 1 |
| 40 | Pump Frame | Cast Iron | 1 |
| 47S | Reamer Bolt Complete | Mild Steel | 1 Set |
| 53 | Rigid Coupling | Cast Iron | 1 |
| 63 | Set Bolt | Mild Steel | 2 |
| 90A | Orifice(Cap.Con.) | Stainless Steel | 1 |
| K10 | Key For Impeller | Stainless Steel | 1 |

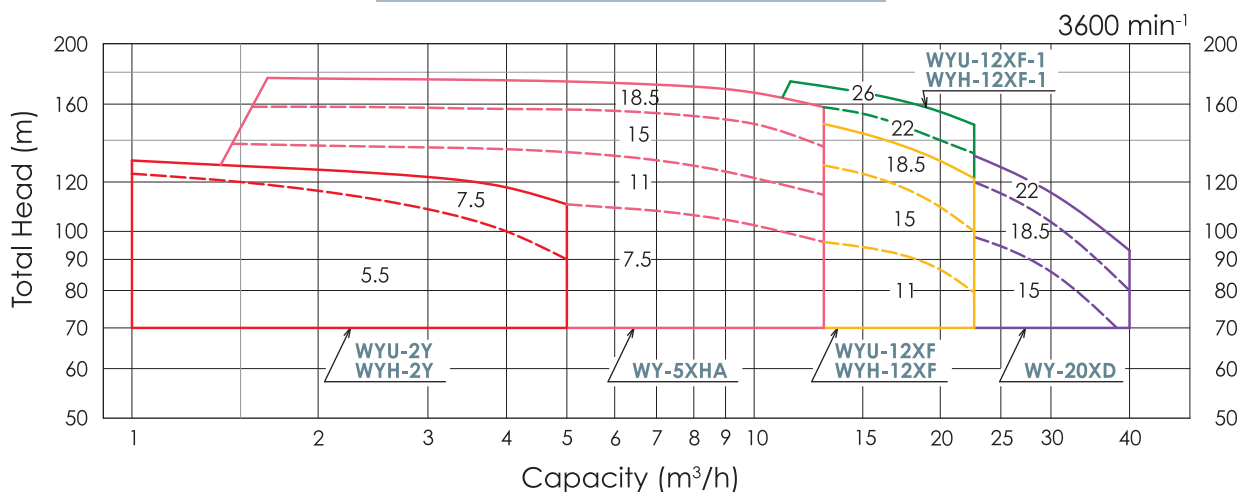


| PART NO. | NAME OF PART | MATERIAL NOMINATION | QTY. |
|----------|-----------------|---|-------|
| 01A | SUCTION CASING | CAST IRON | 1 |
| 01B | DELIVERY CASING | CAST IRON | 1 |
| 04A | NO.1 CASING | CAST IRON | 1 |
| 04B | NO.2 CASING | CAST IRON | 1 |
| 05 | STAGE CASING | CAST IRON | 1 |
| 08 | BEND PIPE | CAST IRON | 1 |
| 09 | GLAND COVER | CAST IRON | 1 |
| 10S | IMPELLER | PHOSPHOR BRONZE CASTING/STAINLESS STEEL CASTING | 1 SET |
| 11 | PUMP SHAFT | STAINLESS STEEL | 1 |
| 13 | BEARING NUT | MILD STEEL | 1 |
| 13A | BEARING WASHER | COLD-REDUCED CARBON STEEL | 1 |
| 14 | IMPELLER NUT | HIGH TENSION BRASS | 1 |
| 16A | BALL BEARING | HIGH CARBON BEAR STEEL | 1 |
| 16B | BALL BEARING | HIGH CARBON BEAR STEEL | 1 |
| 17 | BEARING BUSH | LAMINATED PLASTICS | 1 |
| 20 | SHAFT SLEEVE | STAINLESS STEEL | 1 |
| 22 | MOUTH RING | LEADED BRONZE CASTING | 2 |
| 23 | IMPELLER WASHER | STAINLESS STEEL | 1 |
| 24 | NECK BUSH | LAMINATED PLASTICS | 1 |
| 25 | SEAL CAGE | BRONZE CASTING | 1 |

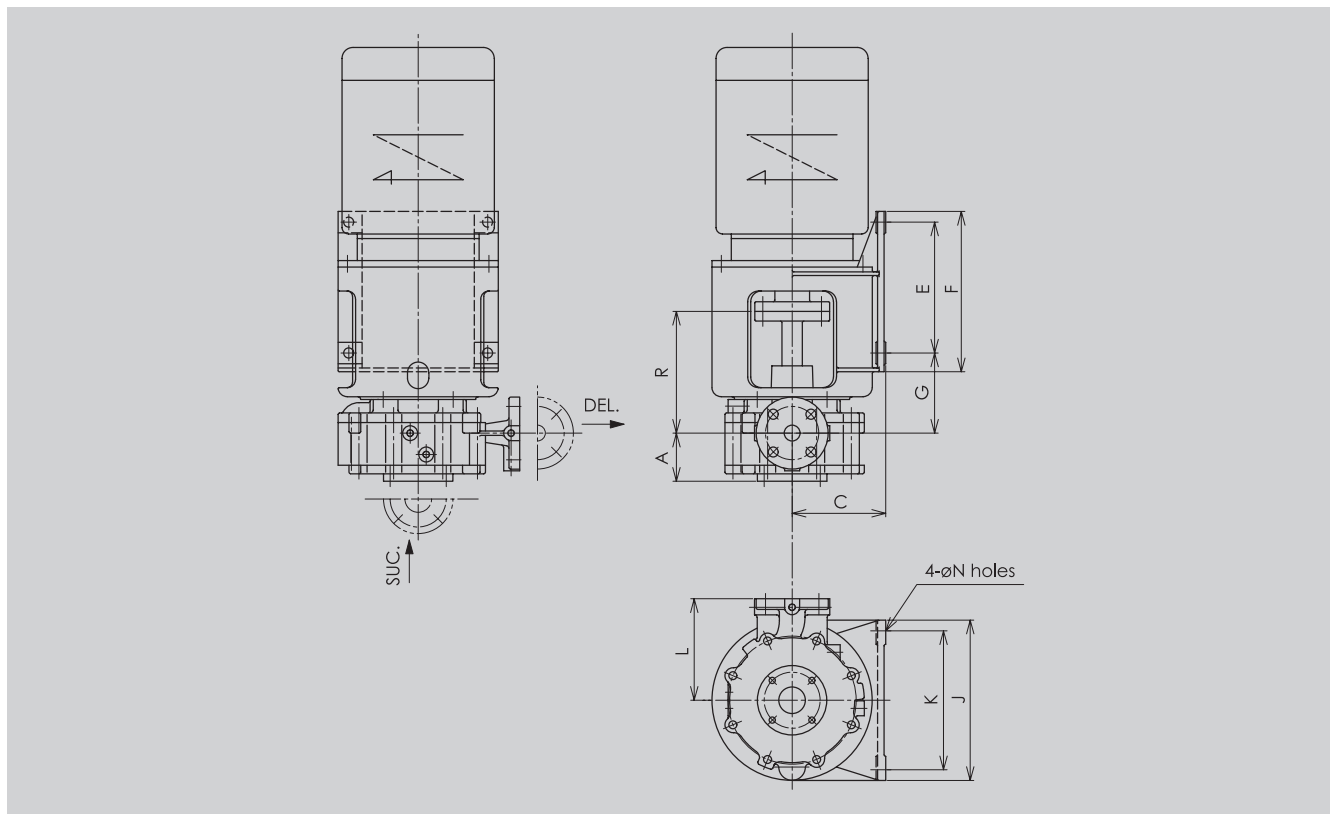
| PART NO. | NAME OF PART | MATERIAL NOMINATION | QTY. |
|----------|------------------------|--------------------------|-------|
| 27 | STAGE BUSH | LAMINATED PLASTICS | 1 |
| 28 | PACKING GLAND | BRONZE CASTING | 1 |
| 29 | WATER SHELTER | BRASS | 1 |
| 30 | RETAINING RING | CARBON TOOL STEEL | 1 |
| 31 | GLAND PACKING | CARBONIZED FIBER PACKING | 1 SET |
| 39A | O RING | SYNTHETIC RUBBER | 1 |
| 39B | O RING | SYNTHETIC RUBBER | 2 |
| 39C | O RING | SYNTHETIC RUBBER | 1 |
| 40 | BEARING CASE | CAST IRON | 1 |
| 41A | BEARING COVER | CAST IRON | 1 |
| 41B | BEARING COVER | CAST IRON | 1 |
| 45A | FELT RING | FELT | 1 |
| 45B | FELT RING | FELT | 1 |
| 52 | FLEXIBLE COUPLING | CAST IRON | 1 |
| 53 | FLEXIBLE COUPLING | CAST IRON | 1 |
| 54S | COUPLING BOLT COMPLETE | MILD STEEL | 1 SET |
| 55 | BUFFER RING | SYNTHETIC RUBBER | 1 SET |
| 60 | COMMON BED | CAST IRON | 1 |
| K10 | KEY (FOR IMPELLER) | STAINLESS STEEL | 1 |
| K52 | KEY (FOR COUPLING) | CARBON STEEL | 1 |

WYU MODEL PERFORMANCE CHART

TWO STAGE SINGLE SUCTION

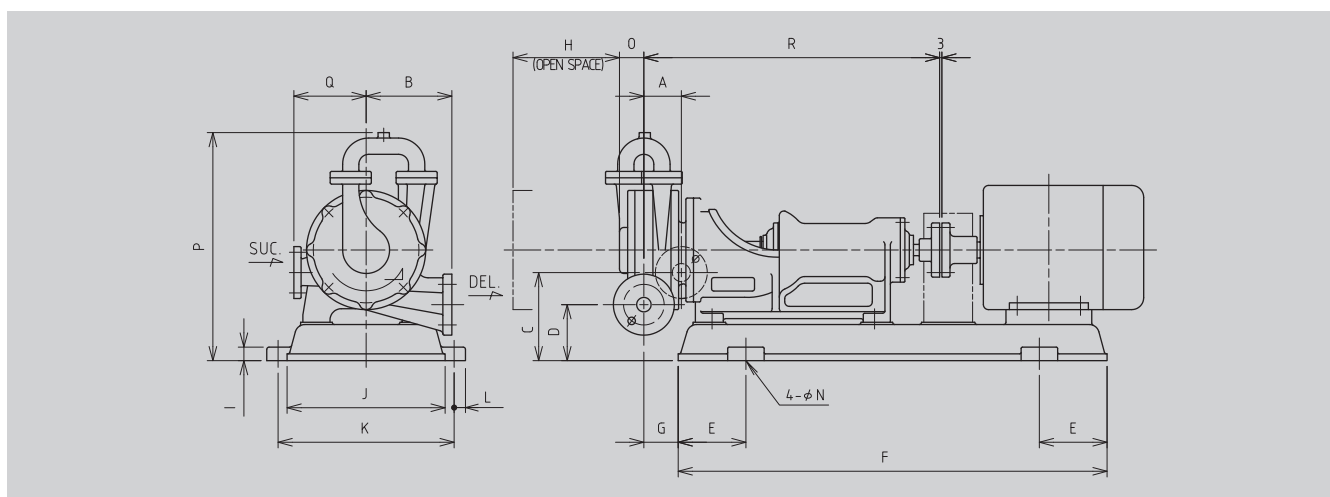


WYU/WY MODEL OUTLINE DRAWING



Dimensions : mm

| Model | Bore | | A | C | E | F | G | J | K | L | N | R | Mass (kg) |
|--------------|-------|--------|-----|-----|-----|-----|-----|-----|-----|-----|----|-----|-----------|
| | Suc. | Del. | | | | | | | | | | | |
| ■ WYU-2Y | 5K-50 | 10K-32 | 90 | 175 | 245 | 300 | 150 | 300 | 260 | 190 | 19 | 231 | 105 |
| ■ WYH-2Y | 5K-32 | 5K-32 | 170 | 175 | 245 | 300 | 150 | 300 | 260 | 190 | 19 | 231 | 110 |
| ■ WYU-12XF | 5K-65 | 10K-65 | 81 | 210 | 280 | 340 | 131 | 350 | 305 | 220 | 23 | 199 | 150 |
| ■ WYH-12XF | 5K-65 | 10K-65 | 181 | 210 | 280 | 340 | 131 | 350 | 305 | 220 | 23 | 199 | 160 |
| ■ WYU-12XF-1 | 5K-65 | 10K-65 | 81 | 235 | 280 | 340 | 131 | 350 | 305 | 220 | 23 | 199 | 155 |
| ■ WYH-12XF-1 | 5K-65 | 10K-65 | 161 | 235 | 280 | 340 | 131 | 350 | 305 | 220 | 23 | 199 | 165 |



Dimensions : mm

| Model | Motor (kW) | Bore (JIS) | A | B | C | D | E | F | G | H | I | J | K | L | N | O | P | Q | R | Mass (kg) |
|-----------|------------|------------|-----|-----|-----|-----|-----|------|-----|-----|----|-----|-----|----|----|-----|-----|-----|-----|-----------|
| ■ WY-5XHA | 18.5 | 40-40 | 98 | 205 | 235 | 140 | 200 | 1100 | 95 | 112 | 30 | 360 | 410 | 25 | 19 | 106 | 660 | 200 | 669 | 190 |
| | 15 | | | | | | | 1050 | | | | | | | | | | | | |
| | 11 | | | | | | | 1050 | | | | | | | | | | | | |
| | 7.5 | | | | | | | 1000 | | | | | | | | | | | | |
| ■ WY-20XD | 22 | 65-65 | 135 | 210 | 255 | 150 | 200 | 1170 | 150 | 150 | 30 | 400 | 450 | 25 | 19 | 145 | 690 | 210 | 755 | 310 |
| | 18.5 | | | | | | | | | | | | | | | | | | | |
| | 15 | | | | | | | | | | | | | | | | | | | |