

CENTRIFUGAL PUMP

VC Model



VC MODEL

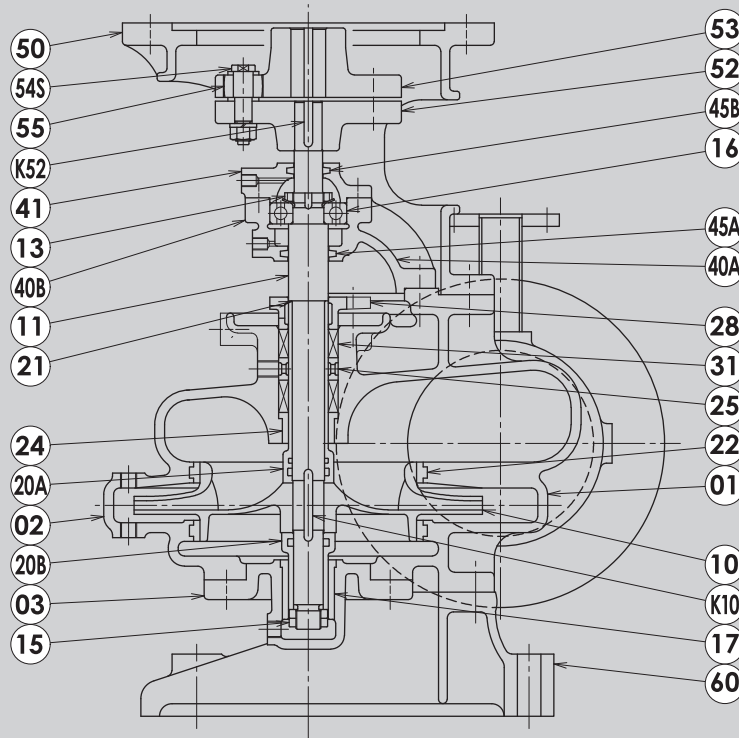
用途/Service

* 復水ポンプ

* その他

* Condensate Pump

* Others



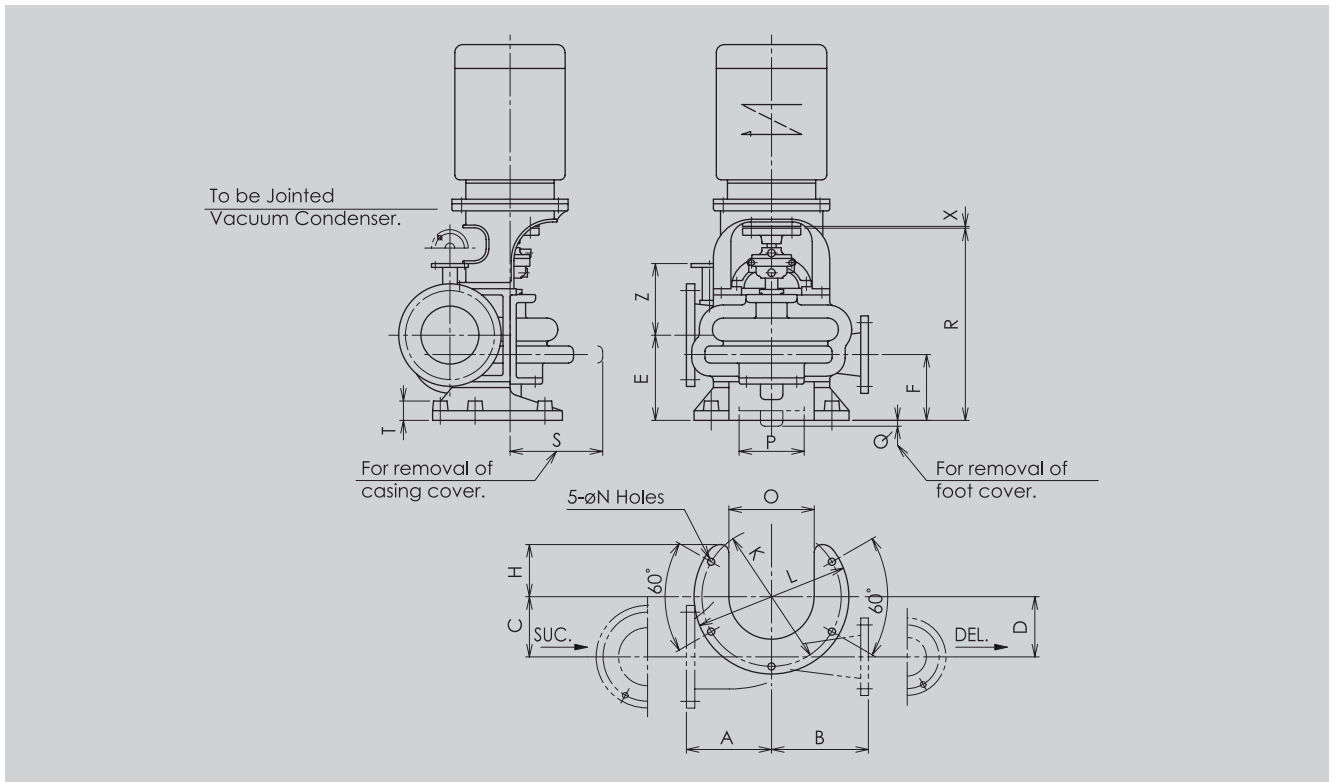
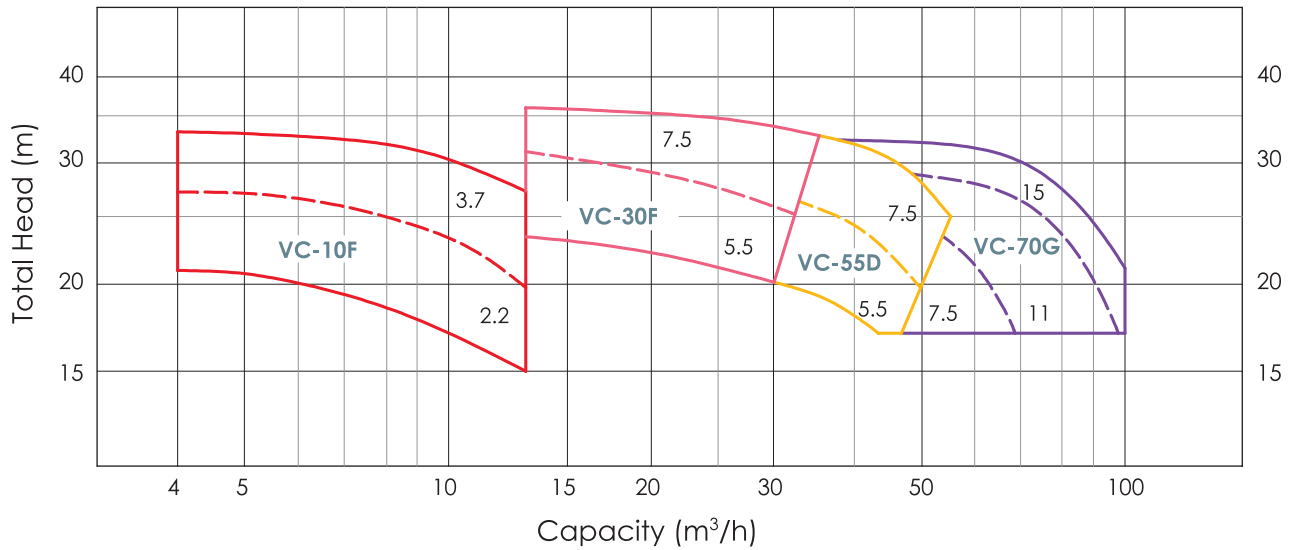
PART NO.	NAME OF PART	MATERIAL NOMINATION	QTY.
01	Casing	Cast Iron	1
02	Casing Cover	Cast Iron	1
03	Foot Cover	Cast Iron	1
10	Impeller	Phosphor Bronze Casting	1
11	Pump Shaft	Stainless Steel	1
13	Bearing Nut	Mild Steel	1
13A	Bearing Washer	Mild Steel	1
15	Sleeve Nut	High Tension Brass	2
16	Ball Bearing	High Carbon bear Steel	1
17	Bearing Bush	Leaded Bronze Casting	1
20A	Upper Shaft Sleeve	Stainless Steel	1
20B	Foot Shaft Sleeve	Stainless Steel	1
21	O Ring(For Sleeve)	Synthetic Rubber	1
22	Mouth Ring	Leaded Bronze Casting	2
24	Neck Bush	Leaded Bronze Casting	1
25	Seal Cage	Leaded Bronze Casting	1

PART NO.	NAME OF PART	MATERIAL NOMINATION	QTY.
28	Packing Gland	Bronze Casting	1
31	Gland Packing	Carbonized Fiber Packing	1 Set
40A	Bearing Case	Cast Iron	1
40B	Bearing Case Cover	Cast Iron	1
41	Bearing Cover	Cast Iron	1
45A	Felt Ring	Felt	1
45B	Felt Ring	Felt	1
50	Motor Frame	Cast Iron	1
52	Flexible Coupling	Cast Iron	1
53	Flexible Coupling	Cast Iron	1
54S	Coupling Bolt Complete	Mild Steel	1 Set
55	Buffer Ring	Synthetic Rubber	1 Set
60	Pump Bed	Cast Iron	1
K10	Key For Impeller	Stainless Steel	1
K52	Key For Coupling	Carbon Steel	1

VC MODEL PERFORMANCE CHART

VERTICAL SINGLE STAGE SINGLE SUCTION

1800 min⁻¹



Dimensions : mm

Model	Bore(JIS)		A	B	C	D	E	F	H	K	L	N	O	P	Q	R	S	T	X	Z	Mass (kg)
	Suc.	Del.																			
VC-10F	5K-100	5K-50	250	200	135	155	255	170	135	360	400	19	220	—	—	495	Min 300	50	3	150	130
VC-30F	5K-125	5K-65	300	250	155	155	240	170	135	360	400	19	220	168	Min 10	496	Min 295	50	3	190	130
VC-55D	5K-150	5K-100	220	250	155	155	220	170	135	360	400	19	220	168	Min 10	496	Min 295	50	3	190	130
VC-70G	5K-250	5K-125	320	300	210	175	440	240	150	420	475	19	270	218	Min 10	713	Min 330	60	3	225	215