



SMK MODEL

CENTRIFUGAL PUMP

SMK/STK Model

用途/Service

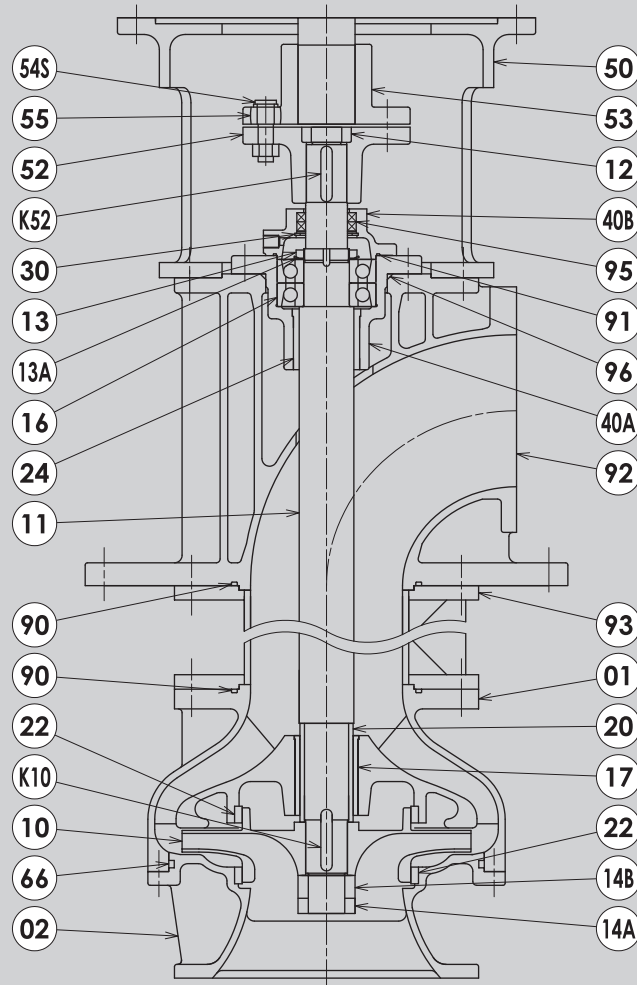
* 潤滑油ポンプ

* その他

* Lubricating Oil Pump.

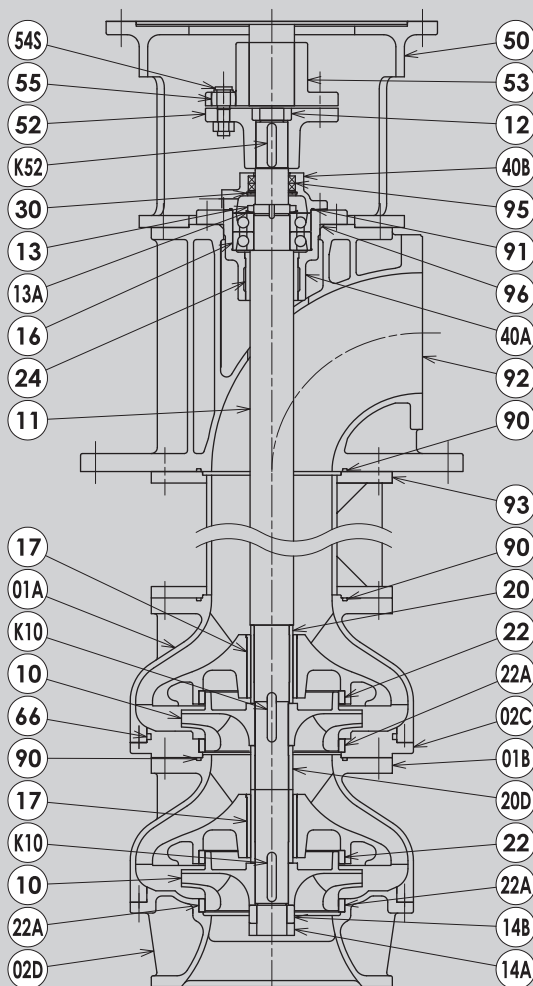
* Others

SMK MODEL



PART NO.	NAME OF PART	MATERIAL NOMINATION	QTY.
01	CASING	CAST IRON	1
02	CASING COVER	CAST IRON	1
10	IMPELLER	CAST IRON / PHOSPHOR BRONZE CASTING	1
11	PUMP SHAFT	CARBON STEEL	1
12	COUPLING NUT	CARBON STEEL	1
13	BEARING NUT	MILD STEEL	1
13A	BEARING WASHER	COLD REDUCED CARBON STEEL	1
14A	IMPELLER NUT	HIGH TENSION BRASS	1
14B	IMPELLER NUT	HIGH TENSION BRASS	1
16	BALL BEARING	HIGH CARBON BEAR STEEL	1 SET
17	BEARING BUSH	CARBON	1
20	SHAFT SLEEVE	STAINLESS STEEL	1
22	MOUTH RING	BRONZE CASTING	2
24	NECK BUSH	LEADED BRONZE CASTING	1
30	RETAINING RING	CARBON STEEL	1
40A	BEARING CASE	CAST IRON	1

PART NO.	NAME OF PART	MATERIAL NOMINATION	QTY.
40B	BEARING CASE COVER	CAST IRON	1
50	MOTOR FRAME	CAST IRON	1
52	FLEXIBLE COUPLING	CAST IRON	1
53	FLEXIBLE COUPLING	CAST IRON	1
54S	COUPLING BOLT COMPLETE	MILD STEEL	1 SET
55	BUFFER RING	SYNTHETIC RUBBER	1 SET
66	O RING	SYNTHETIC RUBBER	1
90	O RING	SYNTHETIC RUBBER	2
91	O RING	SYNTHETIC RUBBER	1
92	PUMP FRAME	CAST IRON	1
93	DELIVERY PIPE	CARBON STEEL	1
95	OIL SEAL	SYNTHETIC RUBBER	2
96	O RING	SYNTHETIC RUBBER	1
K10	KEY FOR IMPELLER	CARBON STEEL	1
K52	KEY FOR COUPLING	CARBON STEEL	1



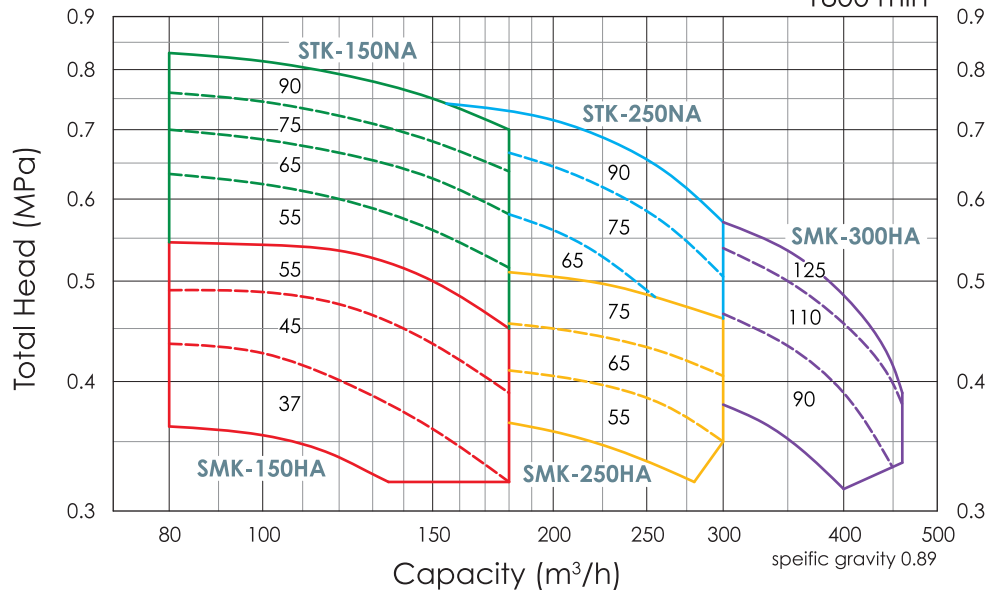
PART NO.	NAME OF PART	MATERIAL NOMINATION	QTY.
01A	CASING	CAST IRON	1
01B	CASING	CAST IRON	1
02C	CASING COVER	CAST IRON	1
02D	CASING COVER	CAST IRON	1
10	IMPELLER	CAST IRON / PHOSPHOR BRONZE CASTING	2
11	PUMP SHAFT	CARBON STEEL	1
12	COUPLING NUT	CARBON STEEL	1
13	BEARING NUT	MILD STEEL	1
13A	BEARING WASHER	COLD REDUCED CARBON STEEL	1
14A	IMPELLER NUT	MILD STEEL	1
14B	IMPELLER NUT	MILD STEEL	1
16	BALL BEARING	HIGH CARBON BEAR STEEL	1 SET
17	BEARING BUSH	CARBON	2
20	SHAFT SLEEVE	CARBON STEEL	1
20D	SHAFT SLEEVE	CARBON STEEL	1
22	MOUTH RING	BRONZE CASTING	2
22A	MOUTH RING	BRONZE CASTING	2
24	NECK BUSH	LEADED BRONZE CASTING	1

PART NO.	NAME OF PART	MATERIAL NOMINATION	QTY.
30	RETAINING RING	CARBON STEEL	1
40A	BEARING CASE	CAST IRON	1
40B	BEARING CASE COVER	CAST IRON	1
50	MOTOR FRAME	CAST IRON	1
52	FLEXIBLE COUPLING	CAST IRON	1
53	FLEXIBLE COUPLING	CAST IRON	1
54S	COUPLING BOLT COMPLETE	MILD STEEL	1 SET
55	BUFFER RING	SYNTHETIC RUBBER	1 SET
66	O RING	SYNTHETIC RUBBER	1
90	O RING	SYNTHETIC RUBBER	3
91	O RING	SYNTHETIC RUBBER	1
92	PUMP FRAME	CAST IRON	1
93	DELIVERY PIPE	CARBON STEEL	1
95	OIL SEAL	SYNTHETIC RUBBER	2
96	O RING	SYNTHETIC RUBBER	1
K10	KEY FOR IMPELLER	CARBON STEEL	2
K52	KEY FOR COUPLING	CARBON STEEL	1

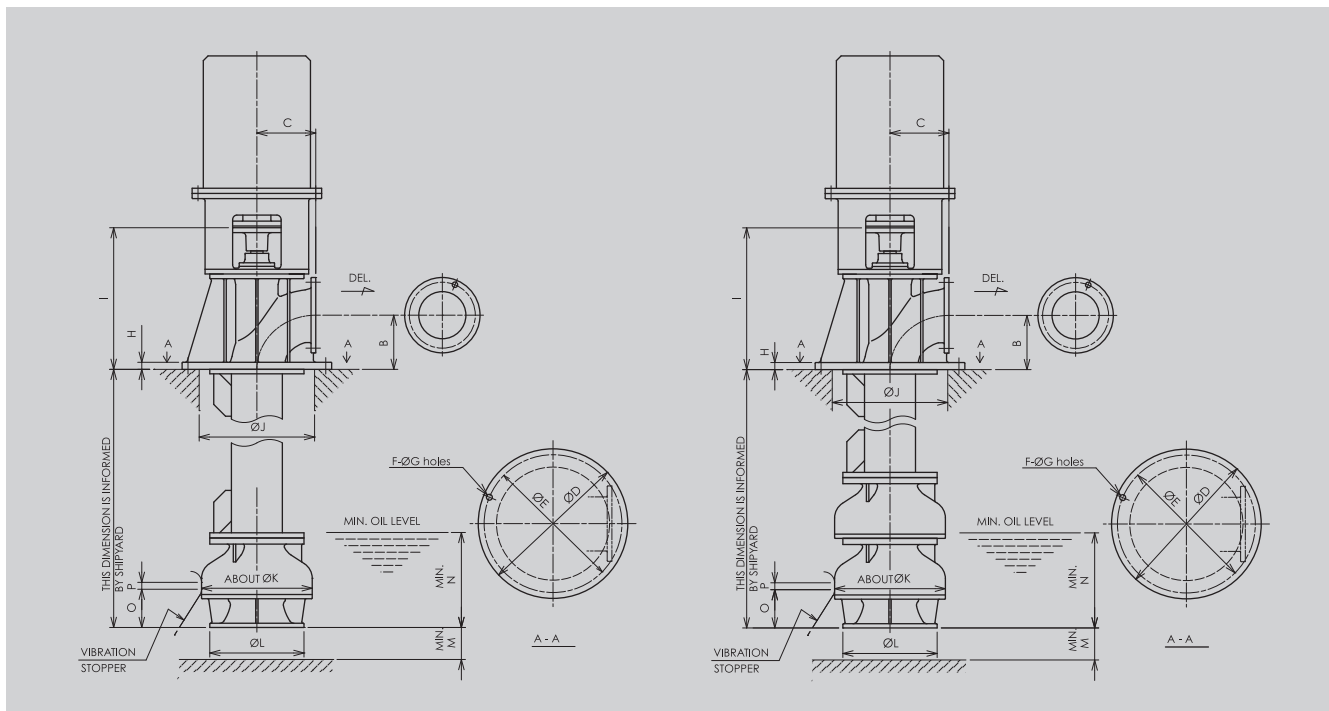
SMK/STK MODEL PERFORMANCE CHART

VERTICAL SINGLE STAGE SINGLE SUCTION

Based on viscosity
capacity : 60cSt
power : 260cSt
1800 min⁻¹



SMK/STK MODEL OUTLINE DRAWING



Dimensions : mm

Model	Bore(JIS) Del.	B	C	D	E	F	G	H	I	J	K	L	M	N	O	P
■ SMK-150HA	5K-150	180	240	620	570	8	23	28	517	470	460	380	60	225	110	30
■ SMK-250HA	5K-200	230	250	635	585	8	25	30	603	480	470	400	80	280	150	30
■ SMK-300HA	5K-250	270	330	790	735	12	27	30	649	480	470	430	80	280	150	30
■ STK-150NA	10K-150	180	240	635	585	8	25	30	523	480	470	385	80	280	150	30
■ STK-250NA	10K-200	230	250	635	585	8	25	30	603	480	470	400	80	280	150	30