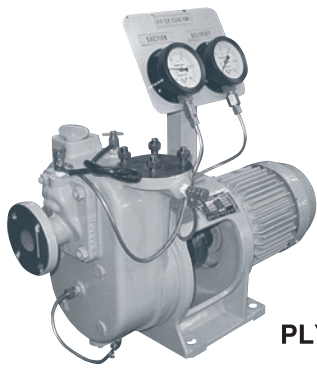
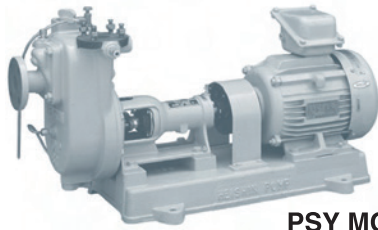


CENTRIFUGAL PUMP

PLY/PSY Model



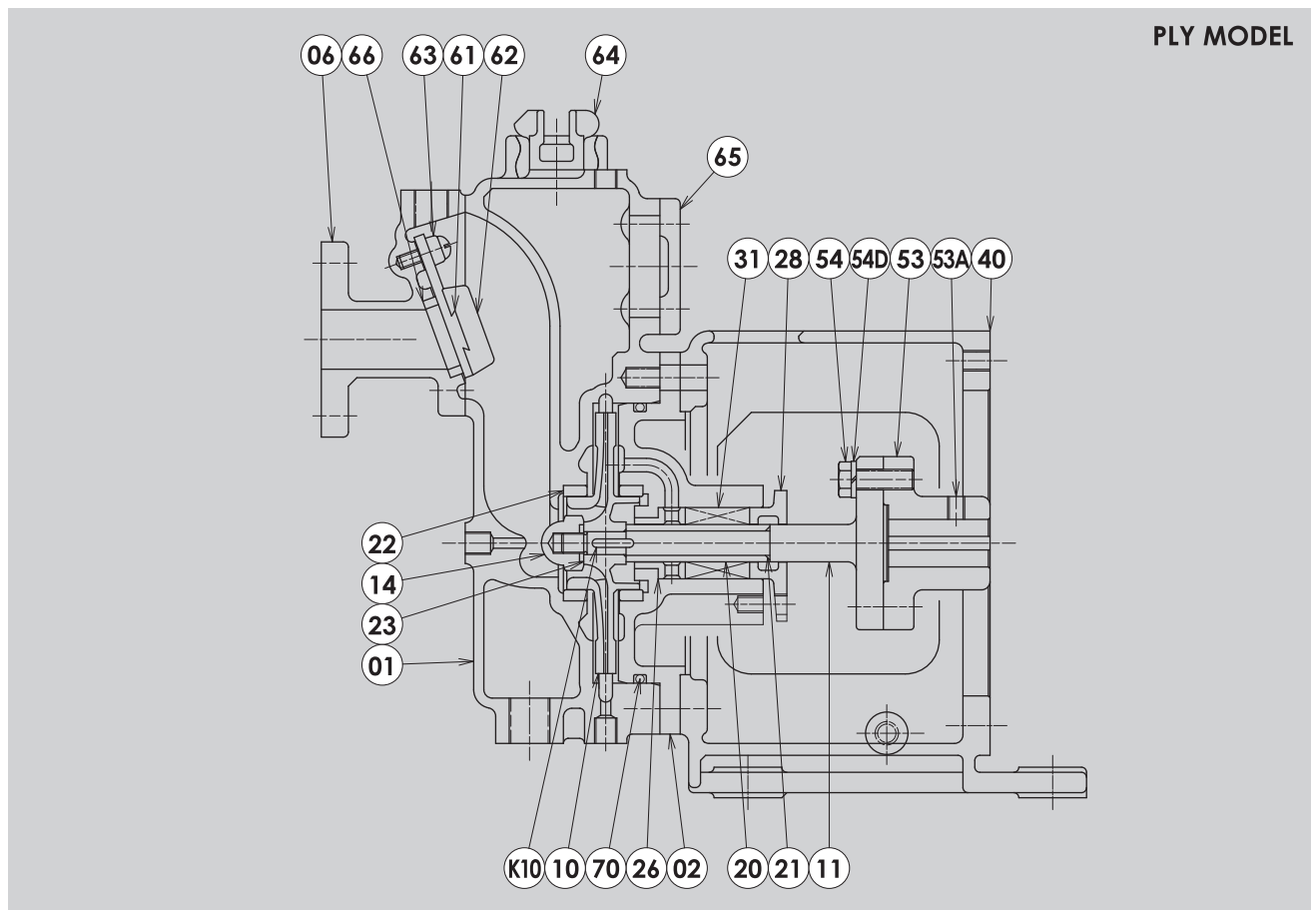
PLY MODEL



PSY MODEL

用途/Service

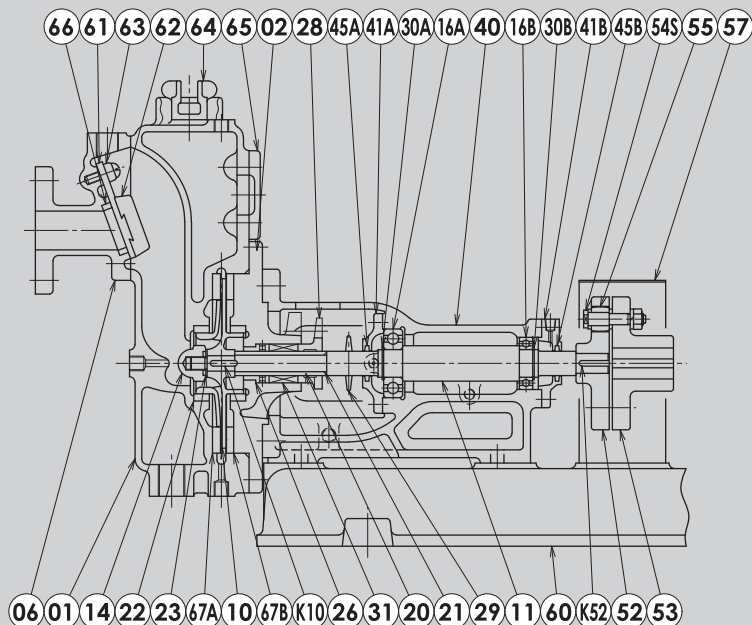
- * 自給型ポンプ
 - * 清水ポンプ
 - * 飲料水ポンプ
 - * サニタリーポンプ
 - * 冷却水ポンプ
 - * その他
- * Self Priming Pump
 - * Fresh Water Pump
 - * Drinking Water Pump
 - * Sanitary Pump
 - * Cooling Water Pump
 - * Others



PLY MODEL

PART NO.	NAME OF PART	MATERIAL NOMINATION	QTY.
01	CASING	Cast Iron	1
02	CASING COVER	Cast Iron	1
06	SUCTION PIPE	Cast Iron	1
10	IMPELLER	Phosphor Bronze Casting	1
11	PUMP SHAFT	Stainless Steel	1
14	IMPELLER NUT	High Tension Brass	1
20	SHAFT SLEEVE	Stainless Steel	1
21	O RING	Synthetic Rubber	1
22	MOUTH RING	Leaded Bronze Casting	2
23	IMPELLER WASHER	Stainless Steel	1
26	SEAL BUSH	Leaded Bronze Casting	1
28	PACKING GLAND	Bronze Casting	1
31	GLAND PACKING	Carbonized Fiber Packing	1 SET

PART NO.	NAME OF PART	MATERIAL NOMINATION	QTY.
40	PUMP FRAME	Cast Iron	1
53	RIGID COUPLING	Cast Iron	1
53A	SET BOLT	Mild Steel	2
54	COUPLING BOLT	Mild Steel	1 SET
54D	COUPLING BOLT S.WASHER	High Carbon Steel Wire Rod	1 SET
61	SUCTION VALVE	Cast Iron	1
62	SUCTION VALVE LINING	Synthetic Rubber	1
63	SUCTION VALVE PLATE	Bronze Casting	1
64	PLUG	Ductile Cast Iron	1
65	CASING COVER	Cast Iron	1
66	VALVE SEAT	Bronze Casting	1
70	O RING	Synthetic Rubber	1
K10	KEY FOR IMPELLER	Stainless Steel	1

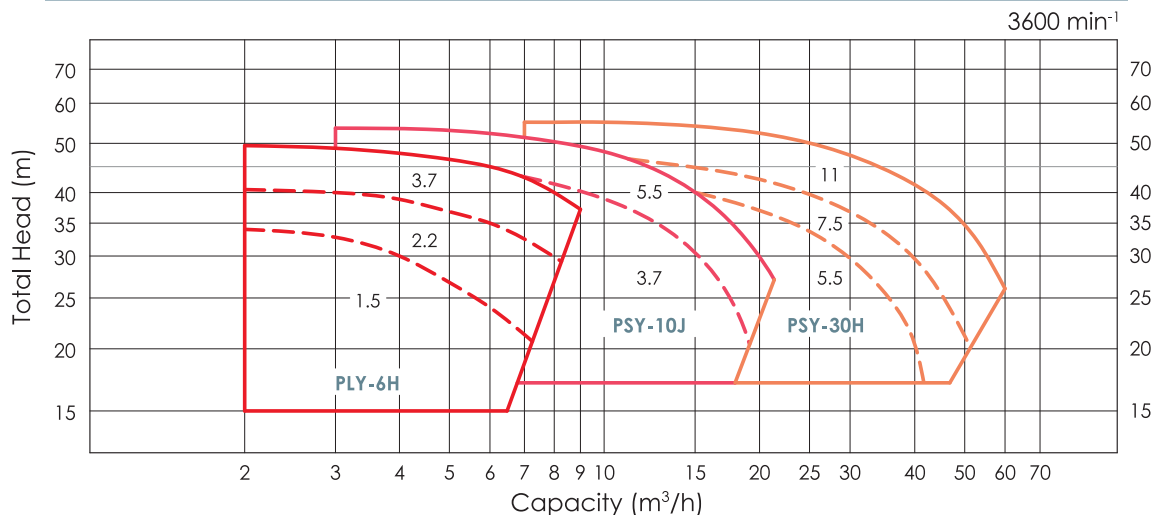


PART NO.	NAME OF PART	MATERIAL NOMINATION	QTY.
01	Casing	Cast Iron or Bronze	1
02	Casing Cover	Cast Iron or Bronze	1
06	Suction Pipe	Cast Iron or Bronze	1
10	Impeller	Phosphor Bronze Casting	1
11	Pump Shaft	Stainless Steel	1
14	Impeller Nut	High Tension Brass	1
16A	Ball Bearing	High Carbon bear Steel	1
16B	Ball Bearing	High Carbon bear Steel	1
20	Shaft Sleeve	Stainless Steel	1
21	"O"Ring	Synthetic Rubber	1
22	Mouth Ring	Leaded Bronze Casting	2
23	Impeller Washer	Stainless Steel	1
26	Seal Bush	Leaded Bronze Casting	1
28	Packing Gland	Bronze Casting	1
29	Water Shelter	Synthetic Rubber	1
30A	Retaining Ring	Carbon Tool Steel	1
30B	Retaining Ring	Carbon tool Steel	1
31	Gland Packing	Carbonized Fiber Packing	1 Set
40	Bearing Case	Cast Iron	1
41A	Bearing Cover	Cast Iron	1

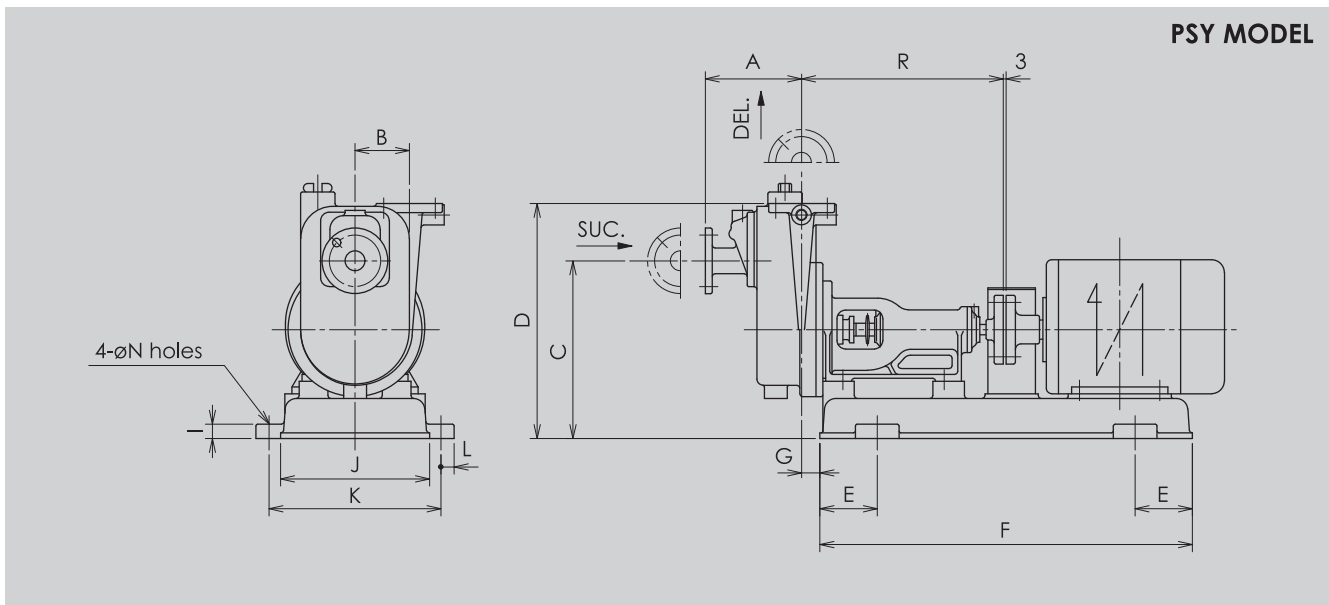
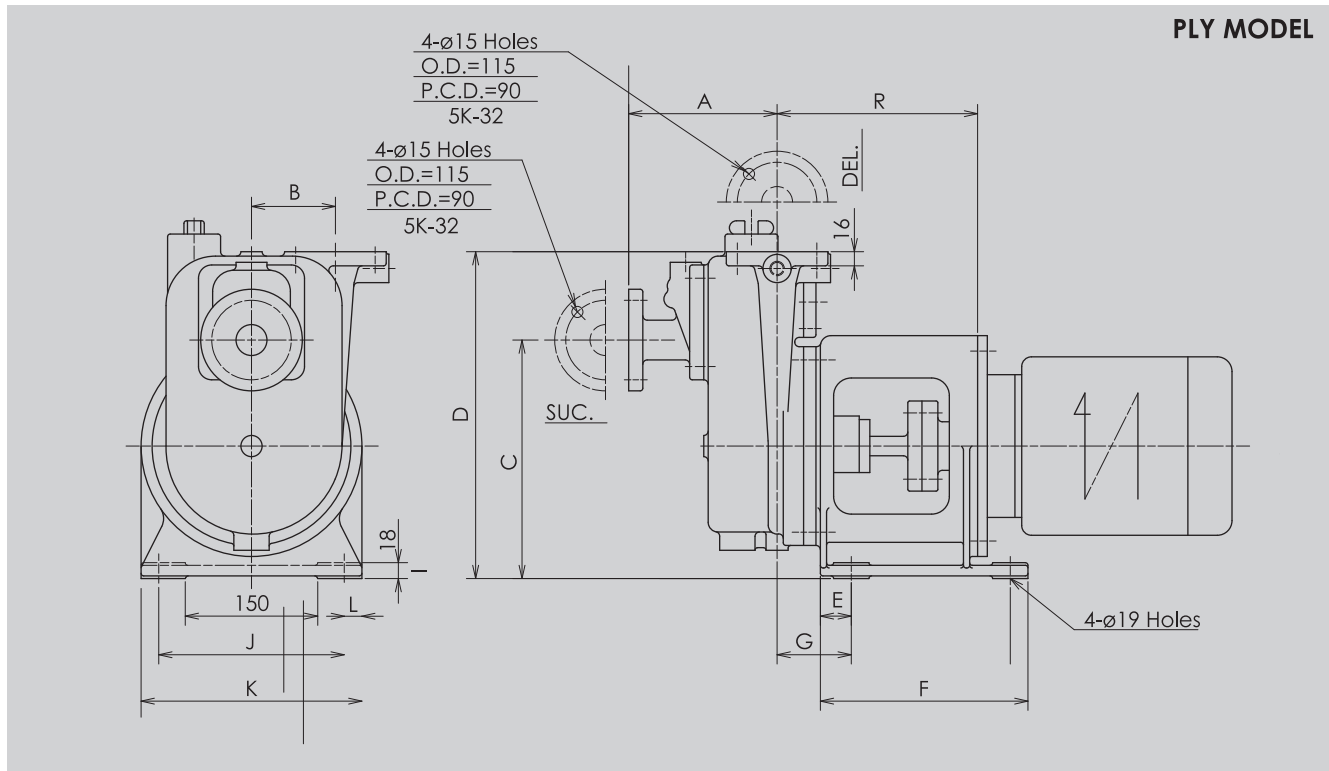
PART NO.	NAME OF PART	MATERIAL NOMINATION	QTY.
41B	Bearing Cover	Cast Iron	1
45A	Felt Ring	Felt	1
45B	Felt Ring	Felt	1
52	Flexible Coupling	Cast Iron	1
53	Flexible Coupling	Cast Iron	1
54S	Coupling Bolt Complete	Mild Steel	1 Set
55	Buffer Ring	Synthetic Rubber	1 Set
57	Coupling Cover	Mild Steel	1
60	Common Bed	Cast Iron	1
61	Suction Valve	Cast Iron	1
62	Suction Valve Lining	Synthetic Rubber	1
63	Suction Valve Plate	Bronze Casting	1
64	Plug	Ductile Cast Iron or Bronze	1
65	Casing Cover	Cast Iron or Bronze	1
66	Valve Seat	Bronze Casting	1
67A	Side Plate	Cast Iron or Bronze	1
67S	Side Plate	Cast Iron or Bronze	1
K10	Key For Impeller	Stainless Steel	1
K52	Key For Coupling	Carbon Steel	1

PLY/PSY MODEL PERFORMANCE CHART

HORIZONTAL SINGLE STAGE SINGLE SUCTION (Self Priming Type)



PLY/PSY MODEL OUTLINE DRAWING



Dimensions : mm

Model	Motor (kW)	Bore(JIS)		A	B	C	D	E	F	G	I	J	K	L	N	R	Mass (kg)
		Suc.	Del.														
■ PLY-6H	1.5																
	2.2	32	32	168	95	270	370	35	235	49	18	210	250	20	19	227	75
	3.7																
■ PSY-10J	3.7																
	5.5	50	50	195	100	310	430	125	700	30	25	300	340	23	15	372	95
						330	450										
■ PSY-30H	5.5																
	7.5	100	100	225	110	320	460	150	750	48	25	300	340	23	15	438	185
	11					345	485	175	860			360	400				