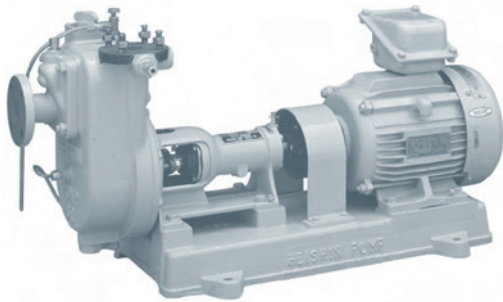


CENTRIFUGAL PUMP

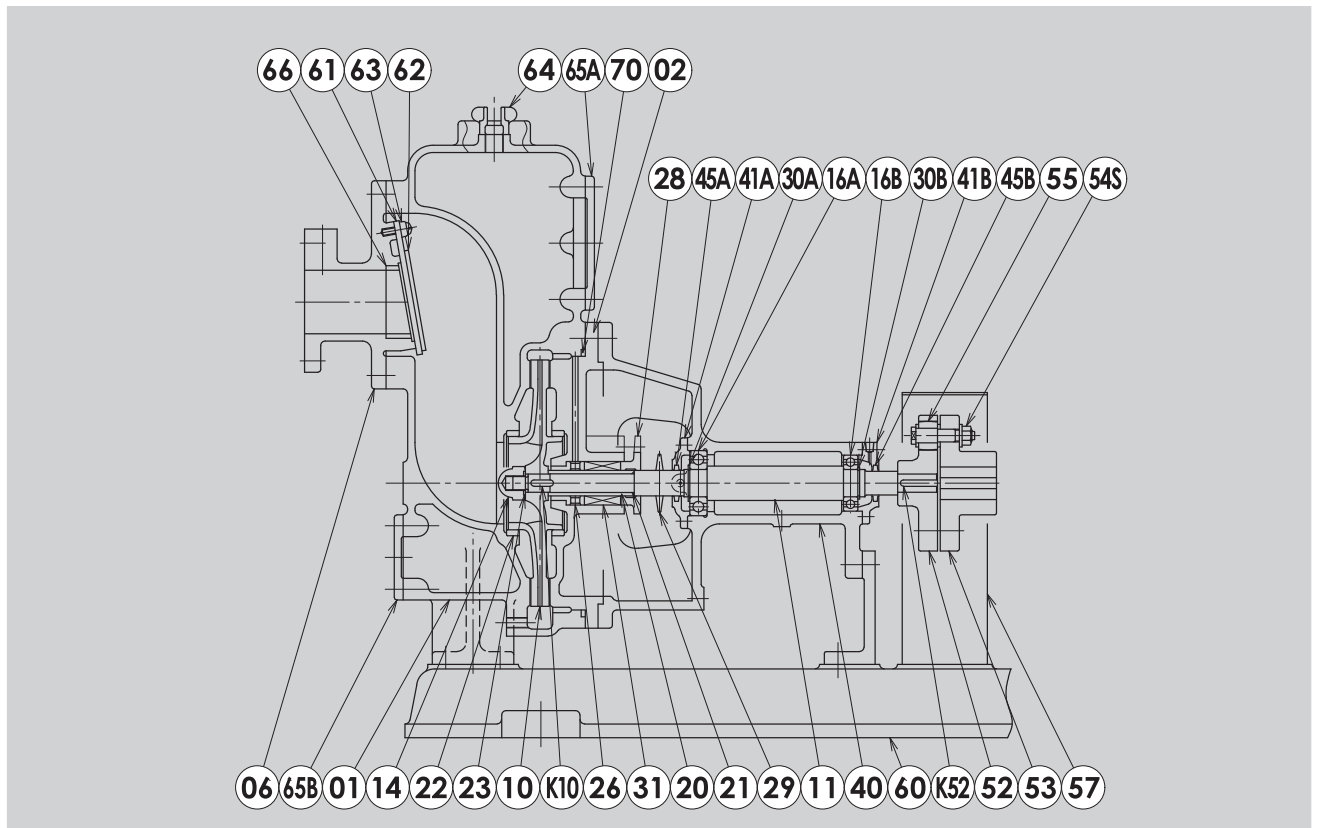
PK Model



PK MODEL

用途/Service

- * 自給型ポンプ
- * 消防兼雑用ポンプ
- * 消防兼ビルジバラストポンプ
- * バラストポンプ
- * 冷却水ポンプ
- * その他
- * Self Priming Pump
- * Fire & G. S. Pump
- * Fire & Bilge Ballast Pump
- * Ballast Pump
- * Cooling Water Pump
- * Others



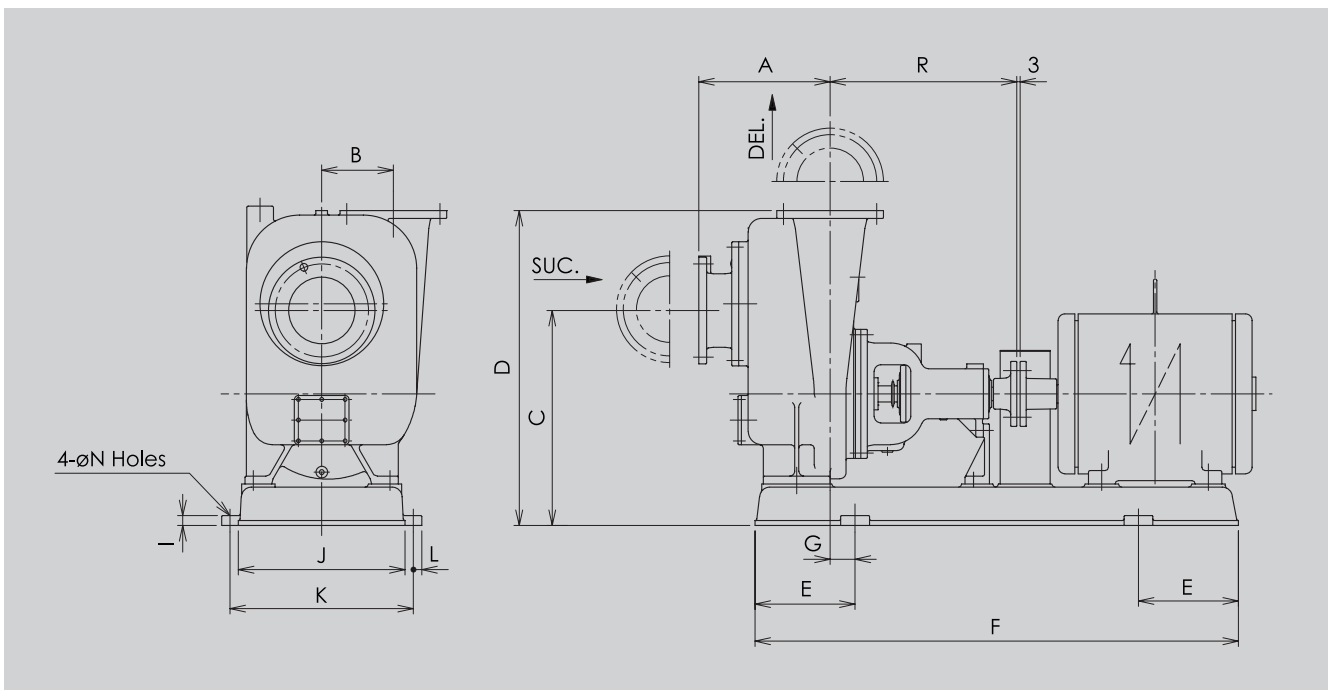
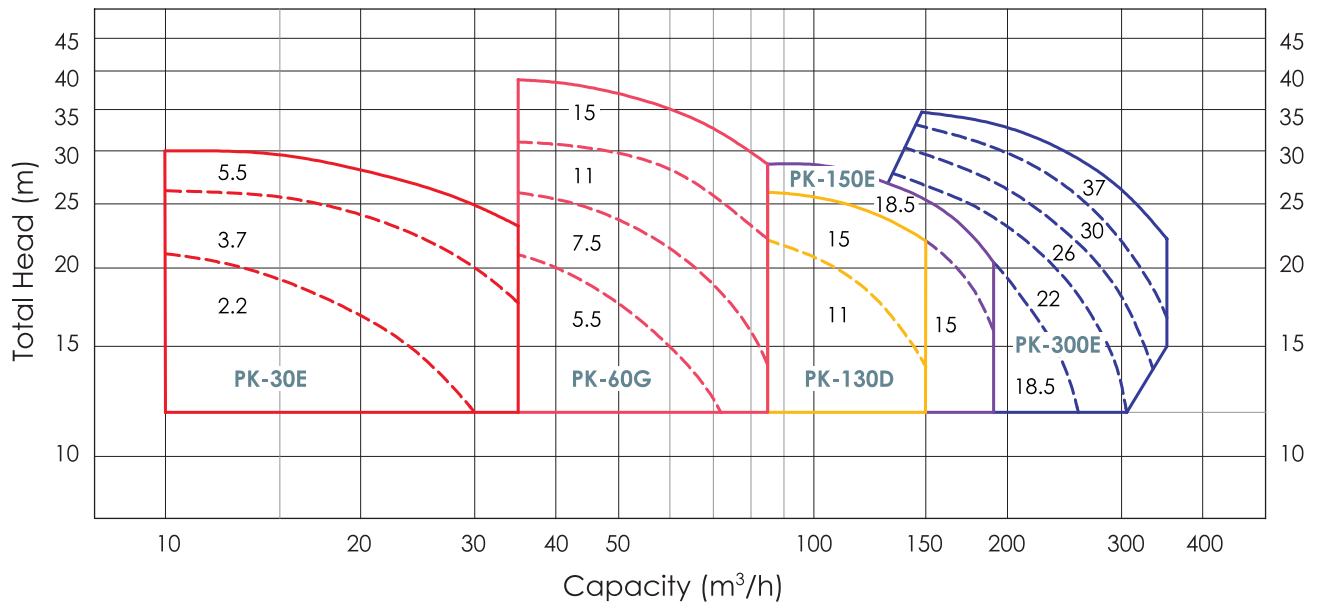
PART NO.	NAME OF PART	MATERIAL NOMINATION	QTY.
01	Casing	Cast Iron or Bronze	1
02	Casing Cover	Cast Iron or Bronze	1
06	Suction Pipe	Cast Iron or Bronze	1
10	Impeller	Phosphor Bronze Casting	1
11	Pump Shaft	Stainless Steel	1
14	Impeller Nut	Stainless Steel	1
16A	Ball Bearing	High Carbon bear Steel	1
16B	Ball Bearing	High Carbon bear Steel	1
20	Shaft Sleeve	Stainless Steel	1
21	O Ring	Synthetic Rubber	1
22	Mouth Ring	Leaded Bronze Casting	2
23	Impeller Washer	Stainless Steel	1
26	Seal Bush	Leaded Bronze Casting	1
28	Packing Gland	Bronze Casting	1
29	Water Shelter	Synthetic Rubber	1
30A	Retaining Ring	Carbon Tool Steel	1
30B	Retaining Ring	Carbon tool Steel	1
31	Gland Packing	Carbonized Fiber Packing	1 Set
40	Bearing Case	Cast Iron	1
41A	Bearing Cover	Cast Iron	1

PART NO.	NAME OF PART	MATERIAL NOMINATION	QTY.
41B	Bearing Cover	Cast Iron	1
45A	Felt Ring	Felt	1
45B	Felt Ring	Felt	1
52	Flexible Coupling	Cast Iron	1
53	Flexible Coupling	Cast Iron	1
54S	Coupling Bolt Complete	Mild Steel	1 Set
55	Buffer Ring	Synthetic Rubber	1 Set
57	Coupling Cover	Mild Steel	1
60	Common Bed	Cast Iron	1
61	Suction Valve	Synthetic Rubber	1
62	Suction Valve Lining	Stainless Steel	1
63	Suction Valve Plate	Bronze Casting	1
64	Plug	Ductile Cast Iron or Bronze	1
65A	Casing Upper Cover	Cast Iron or Bronze	1
65B	Casing Lower Cover	Cast Iron or Bronze	1
66	Valve Seat	Bronze Casting	1
70	O Ring	Synthetic Rubber	1
K10	Key For Impeller	Stainless Steel	1
K52	Key For Coupling	Carbon Steel	1

PK MODEL PERFORMANCE CHART

HORIZONTAL SINGLE STAGE SINGLE SUCTION (Self Priming Type)

1800 min⁻¹



Dimensions : mm

Model	Motor (kW)	Bore (JIS)		A	B	C	D	E	F	G	I	J	K	L	N	R	Mass (kg)
		Suc.	Del.														
■ PK-30E	2.2	65	65	260	155	475	660	150	840	1	25	420	460	23	15	370	220
	3.7																
	5.5																
■ PK-60G	5.5	100	100	280	175	535	735	150	920	45	30	420	470	25	19	425	260
	7.5																
	11																
■ PK-130D	11	125	125	330	160	500	735	200	1050	95	30	430	480	25	19	425	280
	15																
■ PK-150E	15	150	150	330	165	500	885	200	1050	95	30	430	480	25	19	425	280
	18.5																
■ PK-300E	18.5	200	200	395	215	685	985	200	1300	15	30	350	440	30	19	560	350
	22																