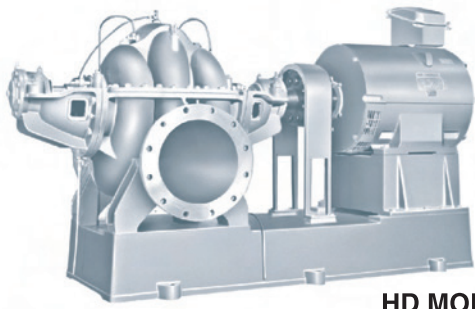


CENTRIFUGAL PUMP

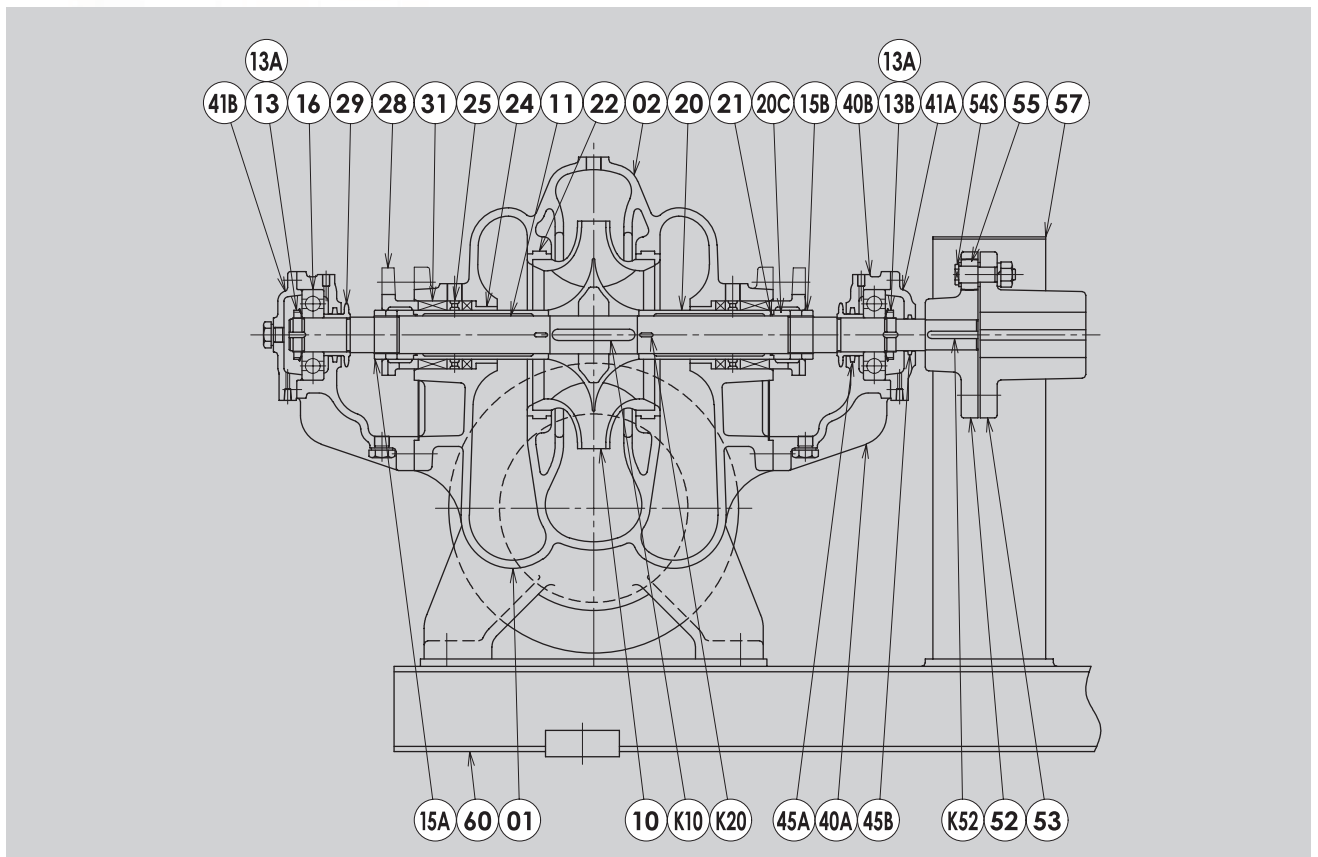
HD Model



HD MODEL

用途/Service

- * 冷却水ポンプ
- * バラストポンプ
- * その他
- * Cooling Water Pump
- * Ballast Pump
- * Others

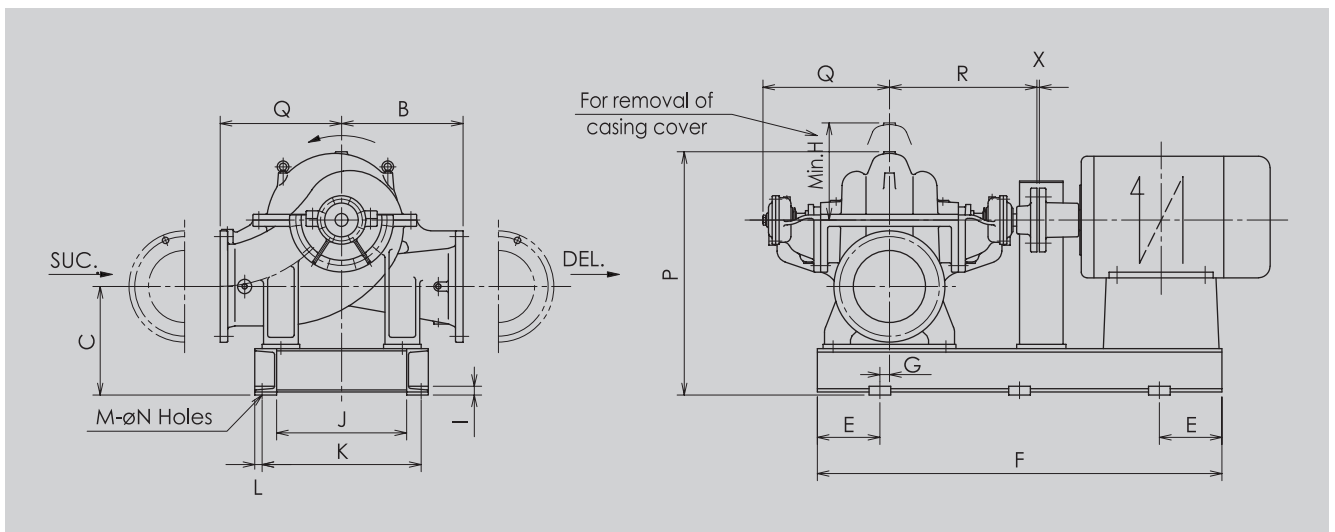
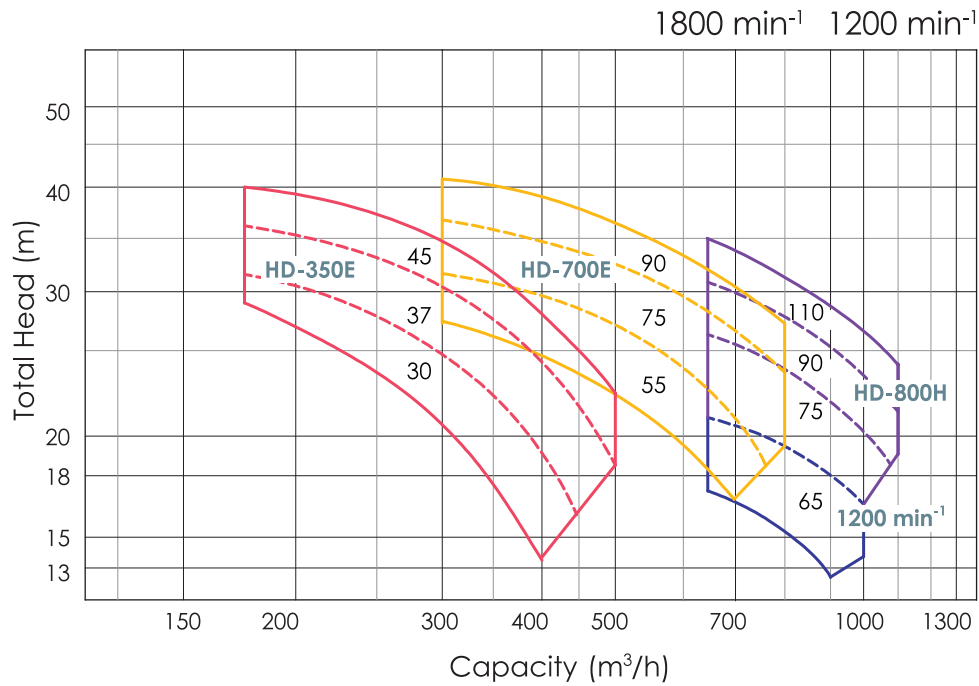


PART NO.	NAME OF PART	MATERIAL NOMINATION	QTY.
01	Casing	Cast Iron or Bronze	1
02	Casing Cover	Cast Iron or Bronze	1
10	Impeller	Phosphor Bronze Casting	1
11	Pump Shaft	Stainless Steel	1
13	Bearing Nut	Mild Steel	1
13A	Bearing Washer	Mild Steel	2
13B	Bearing Nut	Mild Steel	1
15A	Sleeve Nut	High Tension Brass	2
15B	Sleeve Nut	High Tension Brass	2
16	Ball Bearing	High Carbon bear Steel	2
20	Shaft Sleeve	Stainless Steel	2
20C	Packing Sleeve	Stainless Steel	2
21	O Ring	Synthetic Rubber	2
22	Mouth Ring	Leaded Bronze Casting	2
24	Neck Bush	Leaded Bronze Casting	2
25	Seal Cage	Bronze Casting	2
28	Packing Gland	Bronze Casting	2

PART NO.	NAME OF PART	MATERIAL NOMINATION	QTY.
29	Water Shelter	Stainless Steel	2
31	Gland Packing	Carbonized Fiber Packing	2 Sets
40A	Bearing Case	Cast Iron	2
40B	Bearing Cover	Cast Iron	2
41A	Bearing Cover	Cast Iron	1
41B	Bearing Cover	Cast Iron	1
45A	Felt Ring	Felt	2
45B	Felt Ring	Felt	1
52	Flexible Coupling	Cast Iron	1
53	Flexible Coupling	Cast Iron	1
54S	Coupling Bolt Complete	Mild Steel	1 Set
55	Buffer Ring	Synthetic Rubber	1 Set
60	Common Bed	Mild Steel	1
K10	Key For Impeller	Stainless Steel	1
K20	Key For Sleeve	Stainless Steel	2
K52	Key For Coupling	Carbon Steel	1

HD MODEL PERFORMANCE CHART

HORIZONTAL SINGLE STAGE DOUBLE SUCTION



Model	Motor (kW)	Bore(JIS)		B	C	E	F	G	H	I	J	K	L	M	N	P	Q	R	X	Mass (kg)	
		Suc.	Del.																		
■ HD-350E	30																				
	37	250	250	420	330	250	1400	15	455	35	600	660	28	4	23	793	420	510	4	620	
	45																				
■ HD-700E	55						1700														
	75	350	350	450	530	250	1800	40	595	50	740	800	28	6	23	1150	500	660	4	1100	
	90						1800														
■ HD-800H	65						1900														1500
	75	350	350	500	560	250	1900														1500
	90						2020	80	700	50	740	800	28	6	23	1202	550	755	4	1520	
	110						2020														1520