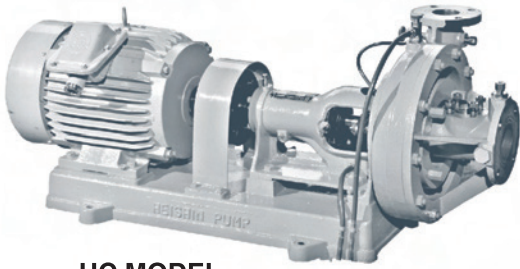


CENTRIFUGAL PUMP

HC Model



HC MODEL

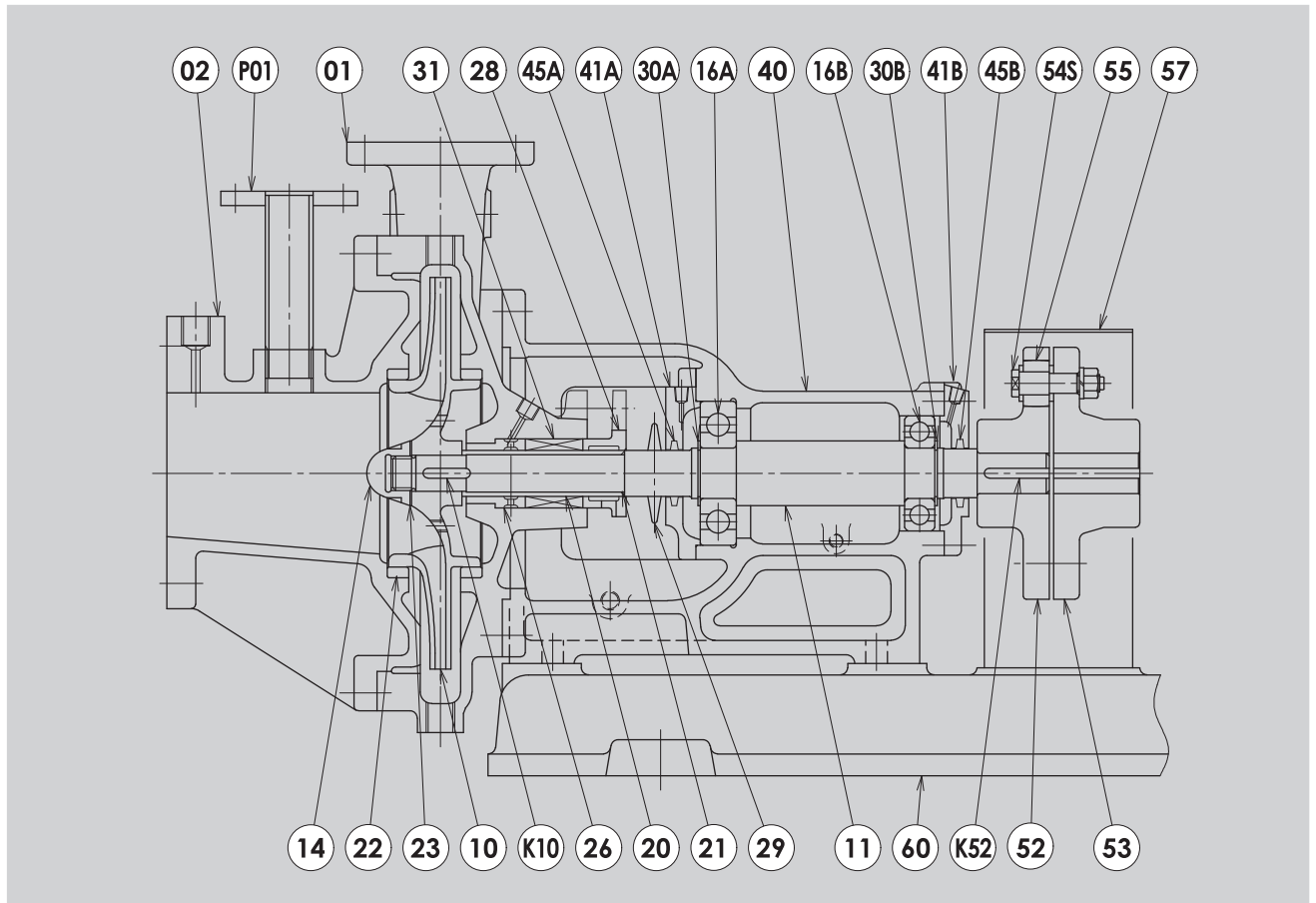
用途/Service

* 復水ポンプ

* その他

* Condensate Pump

* Others



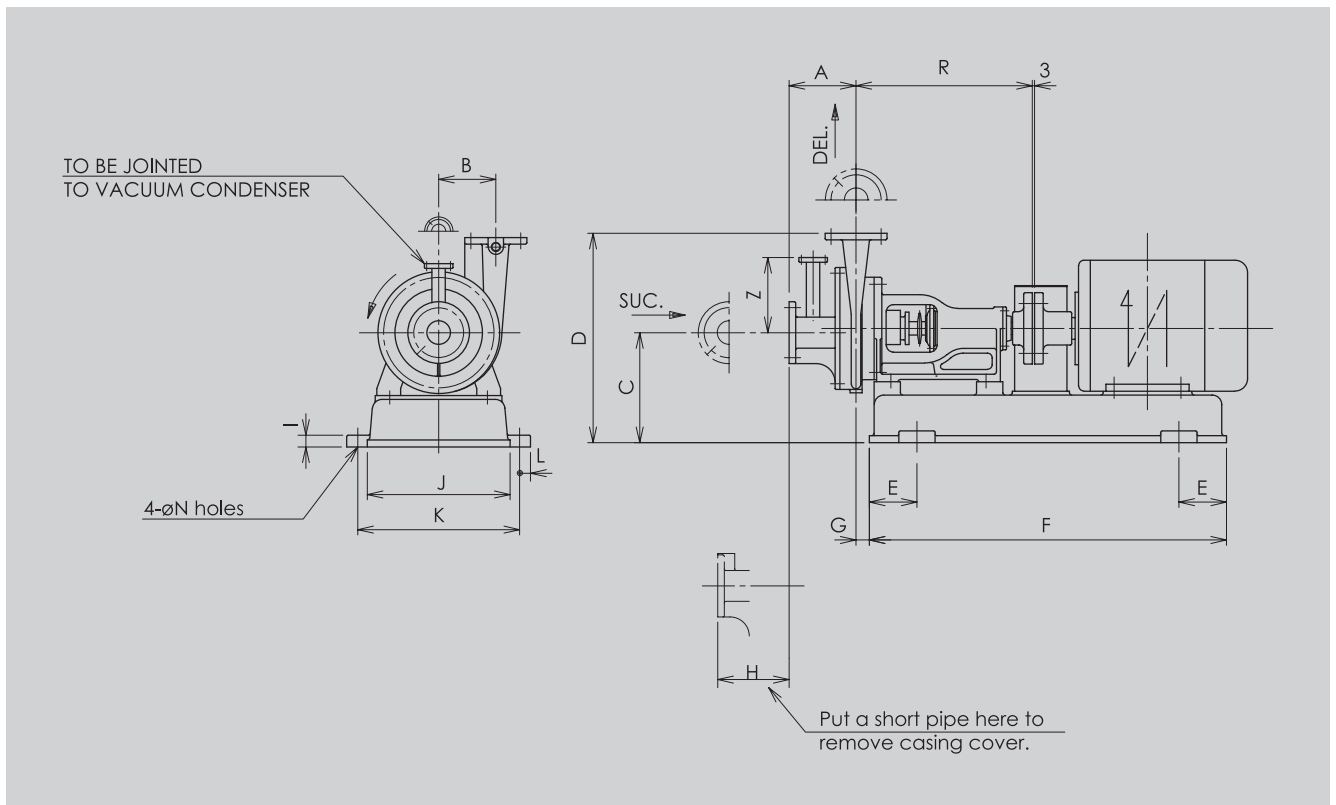
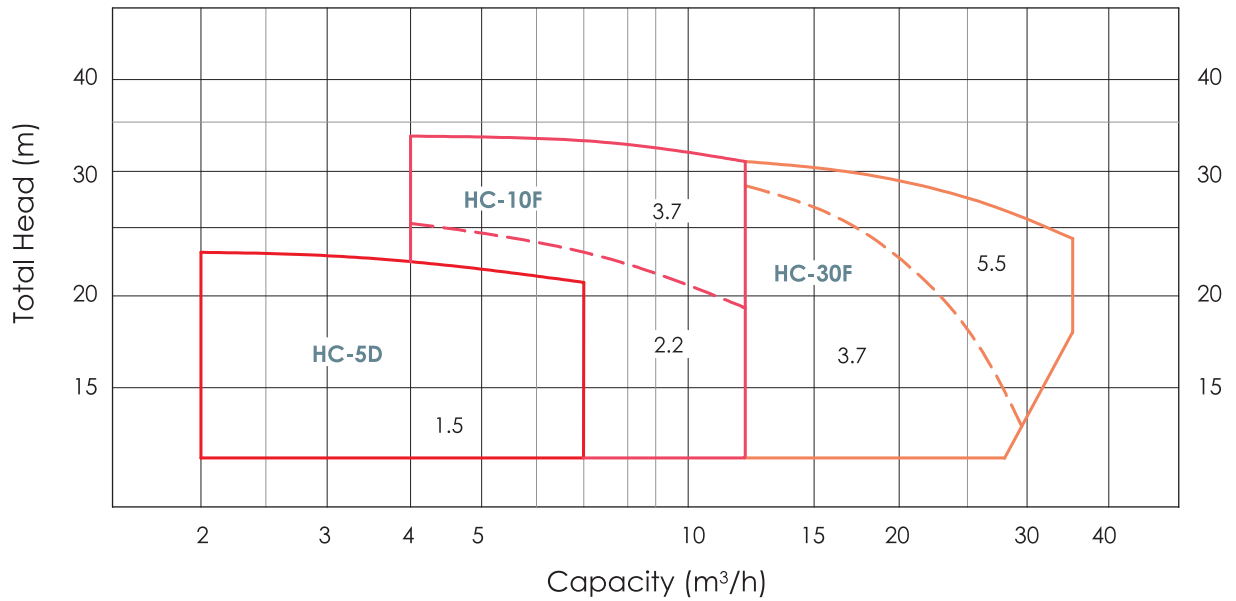
PART NO.	NAME OF PART	MATERIAL NOMINATION	QTY.
01	Casing	Cast Iron	1
02	Casing Cover	Cast Iron	1
10	Impeller	Phosphor Bronze Casting	1
11	Pump Shaft	Stainless Steel	1
14	Impeller Nut	High Tension Brass	1
16A	Ball Bearing	High Carbon bear Steel	1
16B	Ball Bearing	High Carbon bear Steel	1
20	Shaft Sleeve	Stainless Steel	1
21	O Ring	Synthetic Rubber	1
22	Mouth Ring	Leaded Bronze Casting	2
23	Impeller Washer	Stainless Steel	1
26	Seal Bush	Leaded Bronze Casting	1
28	Packing Gland	Bronze Cast	1
29	Water Shelter	Synthetic Rubber	1
30A	Retaining Ring	Carbon Tool Steel	1
30B	Retaining Ring	Carbon tool Steel	1

PART NO.	NAME OF PART	MATERIAL NOMINATION	QTY.
31	Gland Packing	Carbonized Fiber Packing	1 Set
40	Bearing Case	Cast Iron	1
41A	Bearing Cover	Cast Iron	1
41B	Bearing Cover	Cast Iron	1
45A	Felt Ring	Felt	1
45B	Felt Ring	Felt	1
52	Flexible Coupling	Cast Iron	1
53	Flexible Coupling	Cast Iron	1
54S	Coupling Bolt Complete	Mild Steel	1 Set
55	Buffer Ring	Synthetic Rubber	1 Set
57	Coupling Cover	Mild Steel	1
60	Common Bed	Cast Iron	1
K10	Key For Impeller	Stainless Steel	1
K52	Key For Coupling	Carbon Steel	1
P01	Balance Pipe	Mild Steel	1 Set

HC MODEL PERFORMANCE CHART

HORIZONTAL SINGLE STAGE SINGLE SUCTION

1800 min⁻¹



Dimensions : mm

Model	Motor (kW)	Bore(JIS)		A	B	C	D	E	F	G	H	I	J	K	L	N	R	Z	Mass (kg)
		Suc.	Del.																
■ HC-5D	1.5	65	32	180	130	165	315	100	600	30	Min 100	25	200	240	23	15	350	170	55
■ HC-10F	2.2 / 3.7	100	50	190	155	216	440	120	700	33	Min 100	25	300	340	23	15	428	216	95
■ HC-30F	3.7 / 5.5	100	50	190	155	216	440	120 / 150	700 / 750	33	Min 100	25	300	340	23	15	423	216	95