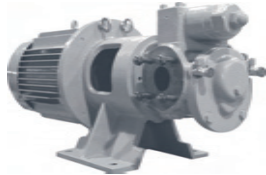


GEAR PUMP

MGB/MGA/M Model



MGA MODEL



MGB MODEL



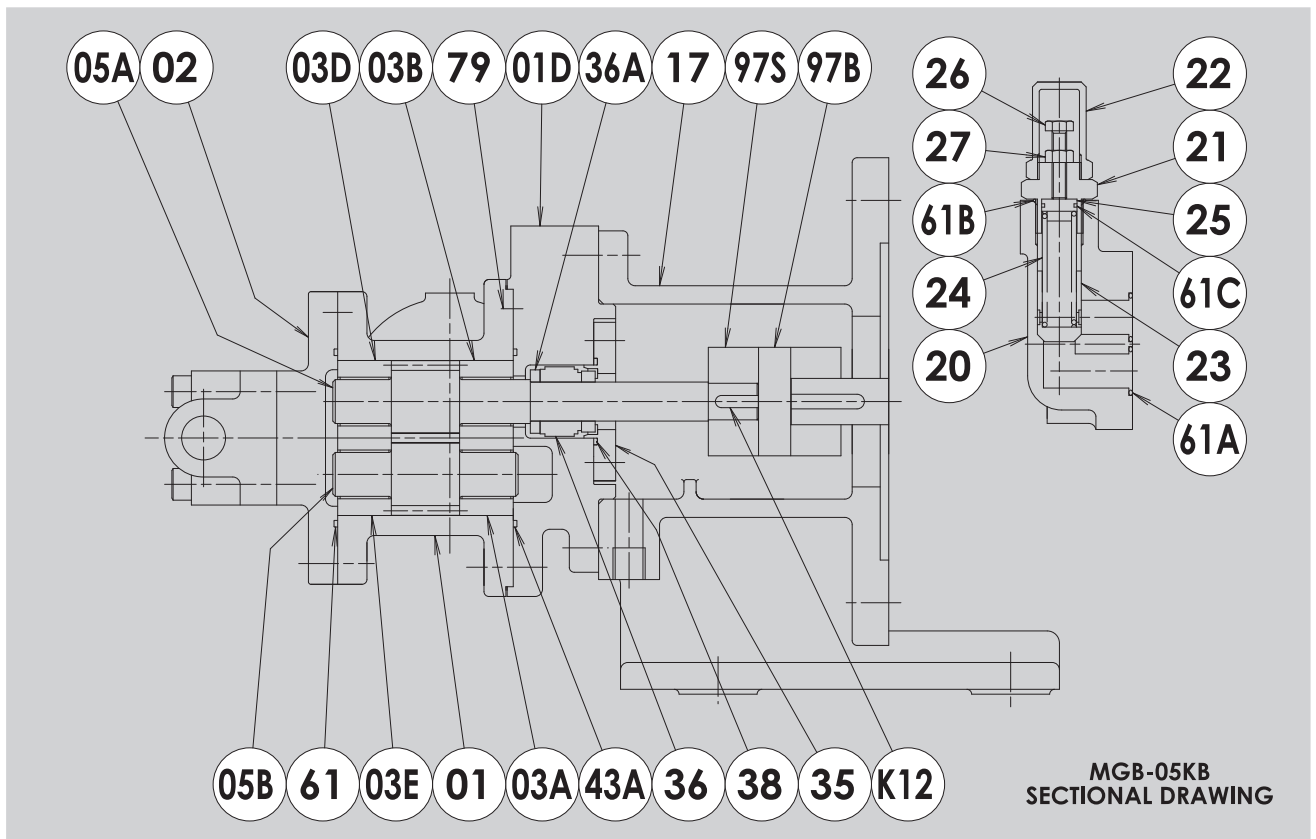
M MODEL

用途/Service

- * 燃料供給ポンプ
- * 燃料循環ポンプ
- * 燃料/潤滑油移送ポンプ
- * その他
- * F.O. SUPPLY (BOOSTER) PUMP
- * F.O. CIRCULATION PUMP
- * F.O. / L.O. TRANS.PUMP
- * OTHERS

特徴/Note

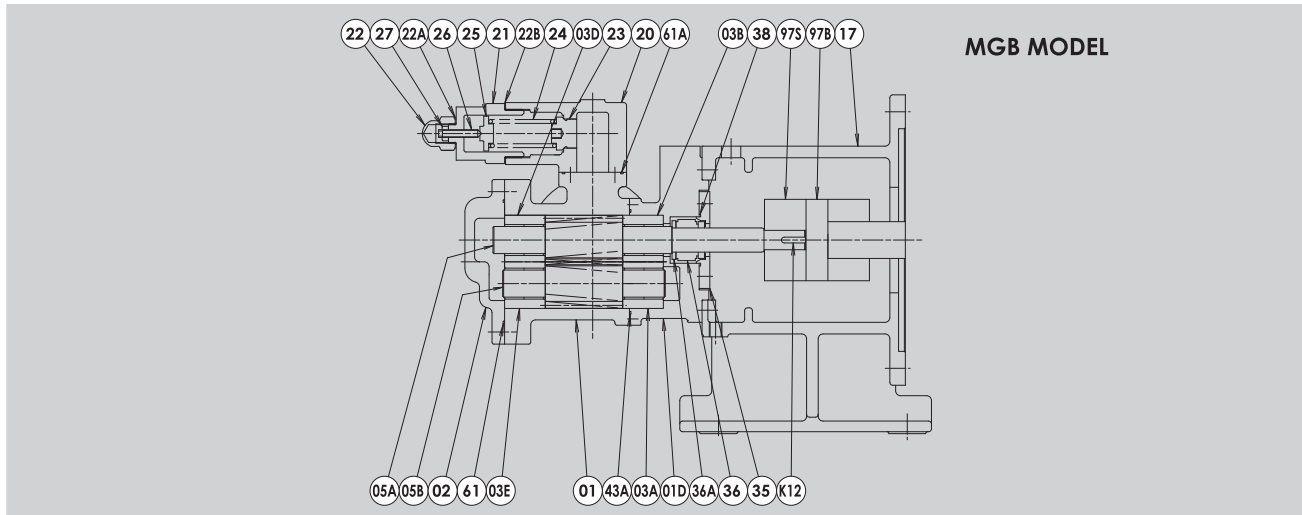
- * MGB/MGA:横置き、縦型壁掛式の兼用モデル
- * MGB and MGA models are available for both Horizontal and Vertical wall mount installation.



PART NO.	NAME OF PART	MATERIAL NOMINATION	QTY.
01	PUMP CASING	DUCTILE CAST IRON	1
01D	CASING COVER	DUCTILE CAST IRON	1
02	CASING COVER	DUCTILE CAST IRON	1
03A	BEARING BUSH	DUCTILE CAST IRON	1
03B	BEARING BUSH	DUCTILE CAST IRON	1
03D	BEARING BUSH	DUCTILE CAST IRON	1
03E	BEARING BUSH	DUCTILE CAST IRON	1
05A	PUMP SHAFT WITH GEAR	CHROMIUM MOLYBDENUM STEEL	1
05B	PUMP SHAFT WITH GEAR	CHROMIUM MOLYBDENUM STEEL	1
17	MOTOR FRAME	CAST IRON	1
20	RELIEF VALVE BODY		1
21	RELIEF VALVE COVER		1
22	RELIEF VALVE CAP		1
23	VALVE		1
24	VALVE SPRING	PIANO WIRE	1
25	VALVE GUIDE		1

PART NO.	NAME OF PART	MATERIAL NOMINATION	QTY.
26	ADJUSTING BOLT		1
27	ADJUSTING NUT		1
35	GLAND COVER	MILD STEEL	1
36	MECHANICAL SEAL		1 SET
36A	MECHANICAL SEAL STOPPER	MILD STEEL	1
38	ORING	SYNTHETIC RUBBER	1
43A	ORING	SYNTHETIC RUBBER	1
61	ORING	SYNTHETIC RUBBER	1
61A	ORING	SYNTHETIC RUBBER	2
61B	ORING	SYNTHETIC RUBBER	1
61C	ORING	SYNTHETIC RUBBER	1
79	LOCATING PIN	CARBON TOOL STEEL	1
97B	SPACER	RESIN	1
97S	COUPLING COMPLETE		1 SET
K12	KEY FOR COUPLING	CARBON STEEL	1

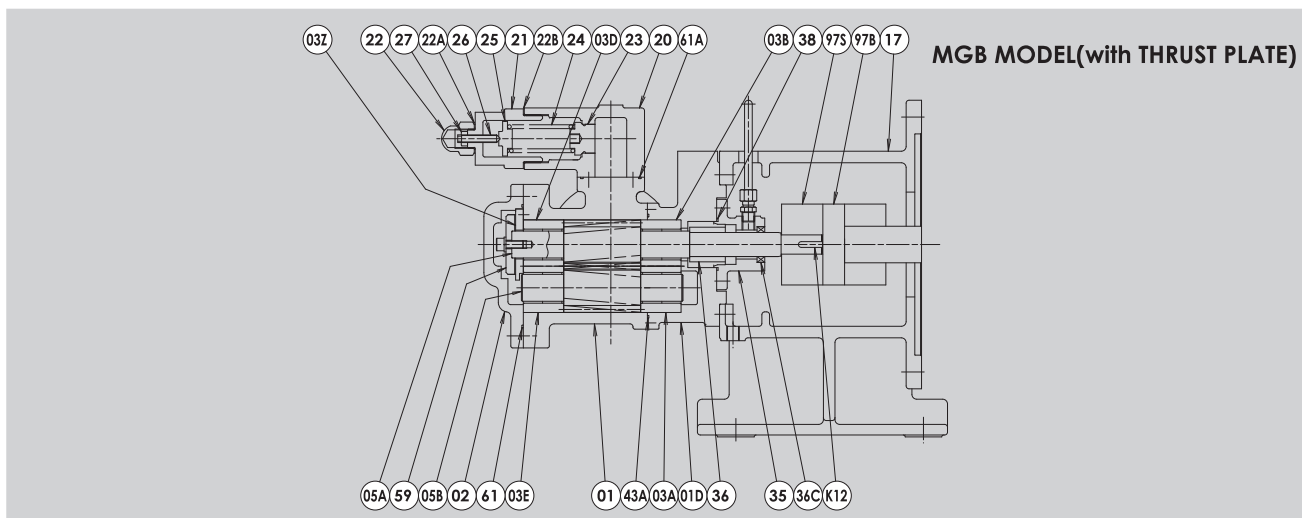
SECTIONAL DRAWING



MGB MODEL

PART NO.	NAME OF PART	MATERIAL NOMINATION	QTY.
01	PUMP CASING	DUCTILE CAST IRON	1
01D	CASING COVER	DUCTILE CAST IRON	1
02	CASING COVER	DUCTILE CAST IRON	1
03A	BEARING BUSH	DUCTILE CAST IRON	1
03B	BEARING BUSH	DUCTILE CAST IRON	1
03D	BEARING BUSH	DUCTILE CAST IRON	1
03E	BEARING BUSH	DUCTILE CAST IRON	1
05A	PUMP SHAFT (WITH GEAR)	CHROMIUM MOLYBDENUM STEEL	1
05B	PUMP SHAFT (WITH GEAR)	CHROMIUM MOLYBDENUM STEEL	1
17	MOTOR FRAME	CAST IRON	1
20	RELIEF VALVE BODY	DUCTILE CAST IRON	1
21	RELIEF VALVE COVER	DUCTILE CAST IRON	1
22	VALVE CAP	MILD STEEL	1
22A	PACKING	SYNTHETIC RUBBER	1
22B	PACKING	SYNTHETIC RUBBER	1

PART NO.	NAME OF PART	MATERIAL NOMINATION	QTY.
23	VALVE	CAST IRON	1
24	VALVE SPRING	PIANO WIRE	1
25	VALVE GUIDE	MILD STEEL	1
26	ADJUSTING BOLT	MILD STEEL	1
27	ADJUSTING NUT	MILD STEEL	1
35	GLAND COVER	MILD STEEL	1
36	MECHANICAL SEAL		1 SET
36A	MECHANICAL SEAL STOPPER	MILD STEEL	1
38	O RING	SYNTHETIC RUBBER	1
43A	O RING	SYNTHETIC RUBBER	1
61	O RING	SYNTHETIC RUBBER	1
61A	O RING	SYNTHETIC RUBBER	2
97B	SPACER	RESIN	1
97S	COUPLING COMPLETE		1 SET
K12	KEY FOR COUPLING	CARBON STEEL	1



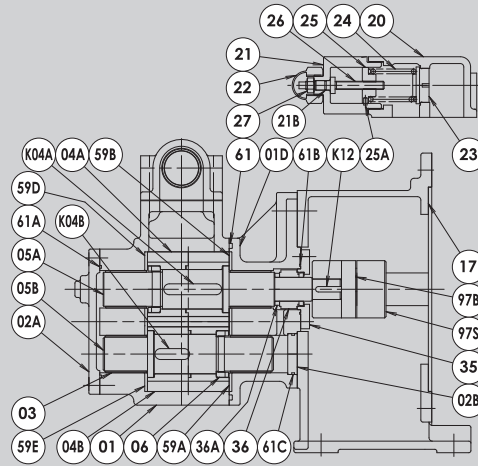
MGB MODEL(with THRUST PLATE)

PART NO.	NAME OF PART	MATERIAL NOMINATION	QTY.
01	PUMP CASING	DUCTILE CAST IRON	1
01D	CASING COVER	DUCTILE CAST IRON	1
02	CASING COVER	DUCTILE CAST IRON	1
03A	BEARING BUSH	DUCTILE CAST IRON	1
03B	BEARING BUSH	DUCTILE CAST IRON	1
03D	BEARING BUSH	DUCTILE CAST IRON	1
03E	BEARING BUSH	DUCTILE CAST IRON	1
03Z	BEARING BUSH STOPPER	CAST IRON	1
05A	PUMP SHAFT (WITH GEAR)	CHROMIUM MOLYBDENUM STEEL	1
05B	PUMP SHAFT (WITH GEAR)	CHROMIUM MOLYBDENUM STEEL	1
17	MOTOR FRAME	CAST IRON	1
20	RELIEF VALVE BODY	DUCTILE CAST IRON	1
21	RELIEF VALVE COVER	DUCTILE CAST IRON	1
22	VALVE CAP	MILD STEEL	1
22A	PACKING	SYNTHETIC RUBBER	1
22B	PACKING	SYNTHETIC RUBBER	1

PART NO.	NAME OF PART	MATERIAL NOMINATION	QTY.
23	VALVE	CAST IRON	1
24	VALVE SPRING	PIANO WIRE	1
25	VALVE GUIDE	MILD STEEL	1
26	ADJUSTING BOLT	MILD STEEL	1
27	ADJUSTING NUT	MILD STEEL	1
35	GLAND COVER	DUCTILE CAST IRON	1
36	MECHANICAL SEAL		1 SET
36C	OIL SEAL	SYNTHETIC RUBBER	1
38	O RING	SYNTHETIC RUBBER	1
43A	O RING	SYNTHETIC RUBBER	1
59	THRUST PLATE	CARBON STEEL	1
61	O RING	SYNTHETIC RUBBER	1
61A	O RING	SYNTHETIC RUBBER	2
97B	SPACER	RESIN	1
97S	COUPLING COMPLETE		1 SET
K12	KEY FOR COUPLING	CARBON STEEL	1

SECTIONAL DRAWING

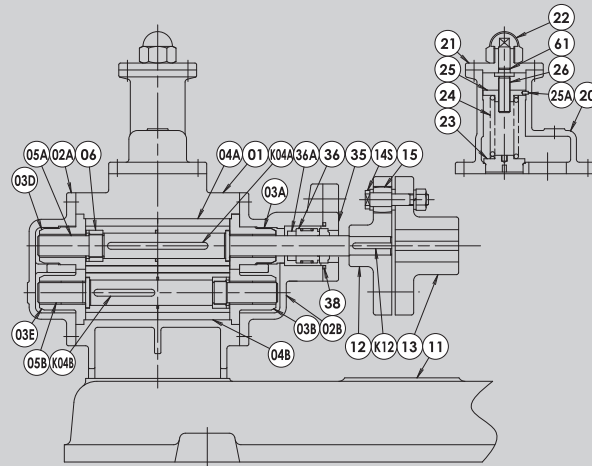
MGA MODEL



PART NO.	NAME OF PART	MATERIAL NOMINATION	QTY.
01	PUMP CASING	CAST IRON	1
01D	CASING COVER	CAST IRON	1
02A	CASING COVER	CAST IRON	1
02B	CASING COVER	MILD STEEL	1
03	BEARING BUSH	MILD STEEL	4
04A	GEAR WHEEL (MAIN)	CARBON STEEL	1 SET
04B	GEAR WHEEL (COUNTER)	CARBON STEEL	1 SET
05A	PUMP SHAFT (MAIN)	CARBON STEEL	1
05B	PUMP SHAFT (COUNTER)	CARBON STEEL	1
06	GEAR NUT	MILD STEEL	2
17	MOTOR FRAME	CAST IRON	1
20	RELIEF VALVE BODY	CAST IRON	1
21	RELIEF VALVE COVER	CAST IRON	1
21B	O RING	SYNTHETIC RUBBER	1
22	VALVE CAP	MILD STEEL	1
23	VALVE	CAST IRON	1
24	VALVE SPRING	PIANO WIRE	1
25	VALVE GUIDE	MILD STEEL	1
25A	SPRING PIN	STAINLESS STEEL	1

PART NO.	NAME OF PART	MATERIAL NOMINATION	QTY.
26	ADJUSTING BOLT	MILD STEEL	1
27	ADJUSTING NUT	MILD STEEL	1
35	GLAND COVER	MILD STEEL	1
36	MECHANICAL SEAL		1 SET
36A	MECHANICAL SEAL STOPPER	MILD STEEL	1
61	O RING	SYNTHETIC RUBBER	1
61A	O RING	SYNTHETIC RUBBER	1
61B	O RING	SYNTHETIC RUBBER	1
61C	O RING	SYNTHETIC RUBBER	1
97B	SPACER	RESIN	1
97S	COUPLING COMPLETE		1 SET
59A	THRUST WASHER	CAST IRON	1
59B	THRUST WASHER	CAST IRON	1
59D	THRUST WASHER	CAST IRON	1
59E	THRUST WASHER	CAST IRON	1
K04A	KEY FOR MAIN GEAR	CARBON STEEL	1
K04B	KEY FOR COUNTER GEAR	CARBON STEEL	1
K12	KEY FOR COUPLING	CARBON STEEL	1

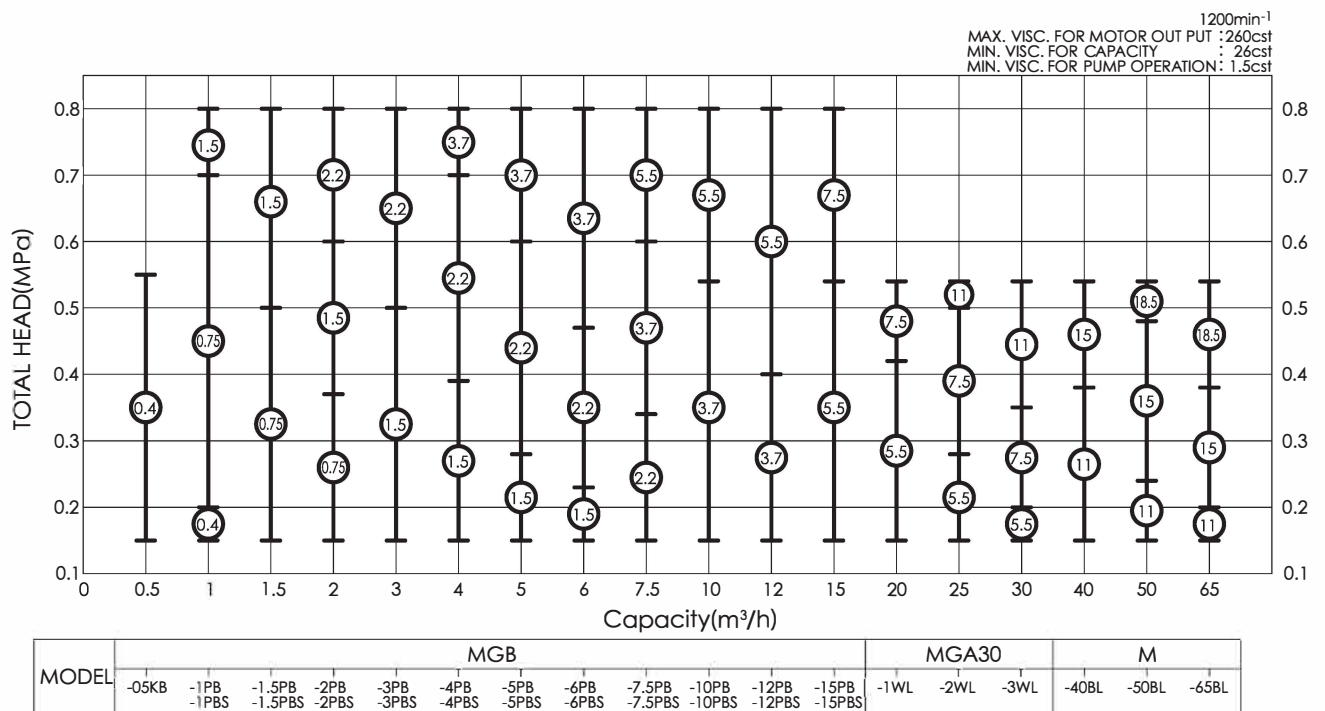
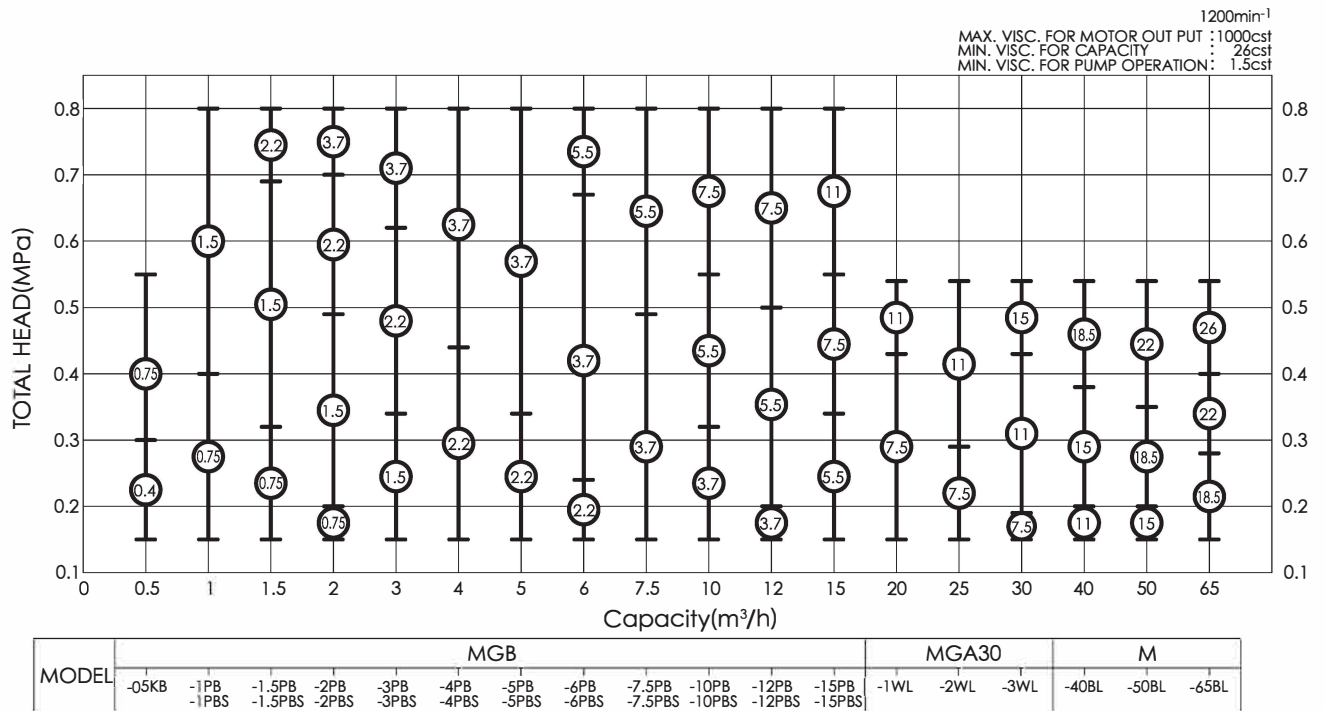
M MODEL



PART NO.	NAME OF PART	MATERIAL NOMINATION	QTY.
01	CASING	CAST IRON	1
02A	SIDE COVER	CAST IRON	1
02B	SIDE COVER	CAST IRON	1
03A	BEARING BUSH	CAST IRON	1
03B	BEARING BUSH	CAST IRON	1
03D	BEARING BUSH	CAST IRON	1
03E	BEARING BUSH	CAST IRON	1
04A	GEAR WHEEL (MAIN)	CARBON STEEL	1 SET
04B	GEAR WHEEL (COUNTER)	CARBON STEEL	1 SET
05A	PUMP SHAFT (MAIN)	CARBON STEEL	1
05B	PUMP SHAFT (COUNTER)	CARBON STEEL	1
06	GEAR NUT	MILD STEEL	2
11	COMMON BED	CAST IRON	1
12	FLEXIBLE COUPLING (PUMP)	CAST IRON	1
13	FLEXIBLE COUPLING (MOTOR)	CAST IRON	1
14S	COUPLING BOLT COMPLETE	MILD STEEL	1 SET
15	BUFFER RING	SYNTHETIC RUBBER	1 SET

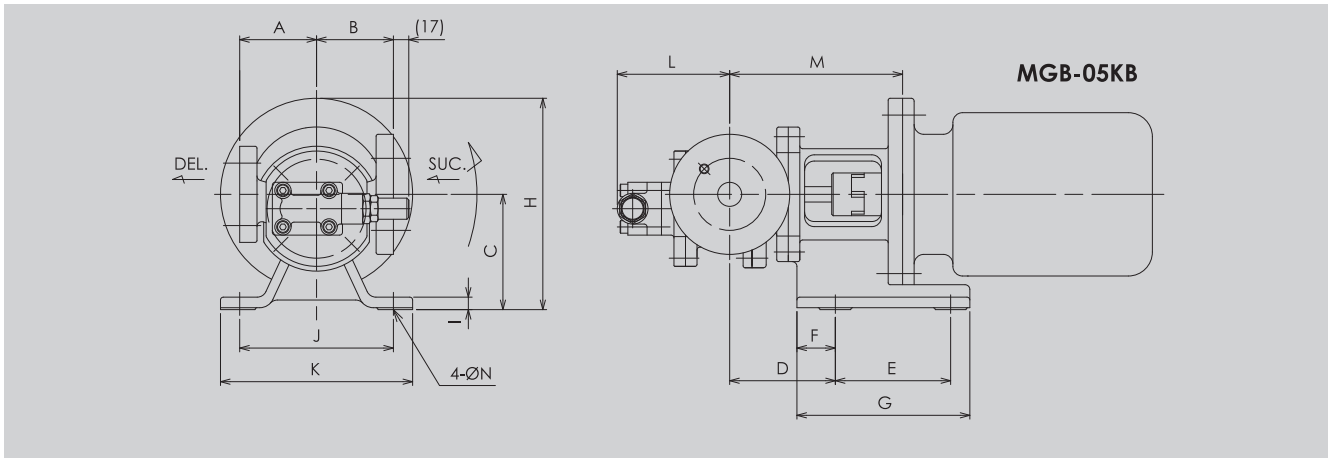
PART NO.	NAME OF PART	MATERIAL NOMINATION	QTY.
20	RELIEF VALVE BODY	CAST IRON	1
21	RELIEF VALVE COVER	CAST IRON	1
22	RELIEF VALVE CAP	MILD STEEL	1
23	VALVE	CAST IRON	1
24	VALVE SPRING	SPRING STEEL	1
25	VALVE GUIDE	MILD STEEL	1
25A	SPRING PIN	STAINLESS STEEL	1
26	ADJUSTING BOLT	MILD STEEL	1
35	GLAND COVER	CAST IRON	1
36	MECHANICAL SEAL		1 SET
36A	MECHANICAL SEAL STOPPER	STAINLESS STEEL	1
38	O RING	SYNTHETIC RUBBER	1
61	O RING	SYNTHETIC RUBBER	1
K04A	KEY (MAIN GEAR)	CARBON STEEL	1
K04B	KEY (COUNTER GEAR)	CARBON STEEL	1
K12	KEY (COUPLING)	CARBON STEEL	1

PERFORMANCE CHART



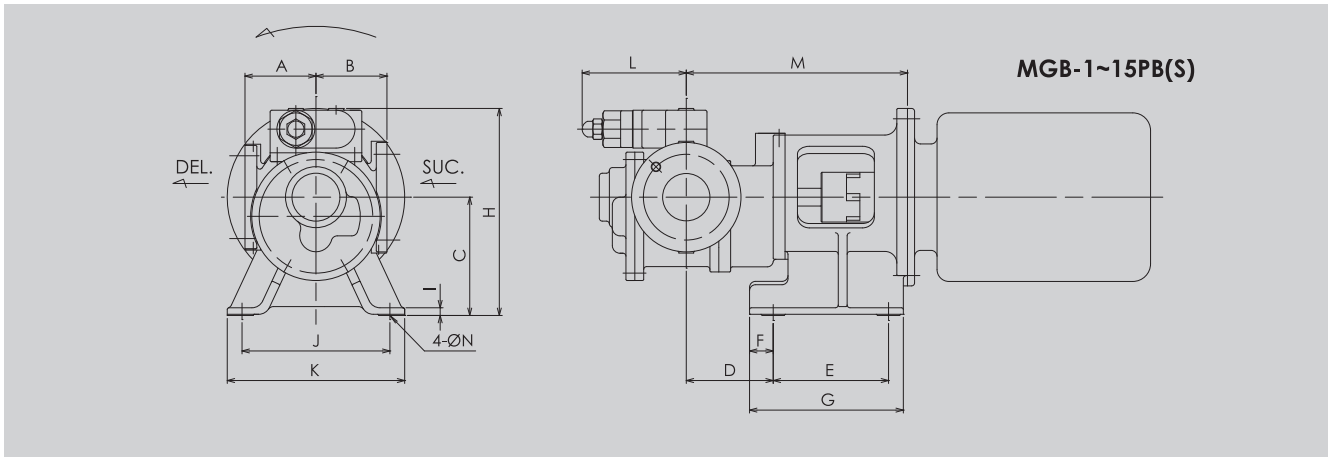
MGB-PBS MODELS HAVE THRUST PLATE FOR SUCTION BOOST PRESSURE.

OUTLINE DRAWING



Model	Capacity (m ³ /h) (26cSt)	Motor (kW) ^{※1}		Casing Bore(JIS)		A	B	C	D	E	F	G	H	I	J	K	L	M	N	Weight (Kg)
		(260cSt)	(1000cSt)	Suc.	Del.															
MGB-05KB	0.5	0.4	0.4 0.75	25	20	80	80	120	110	120	40	180	220	13	160	200	117	191	15	20

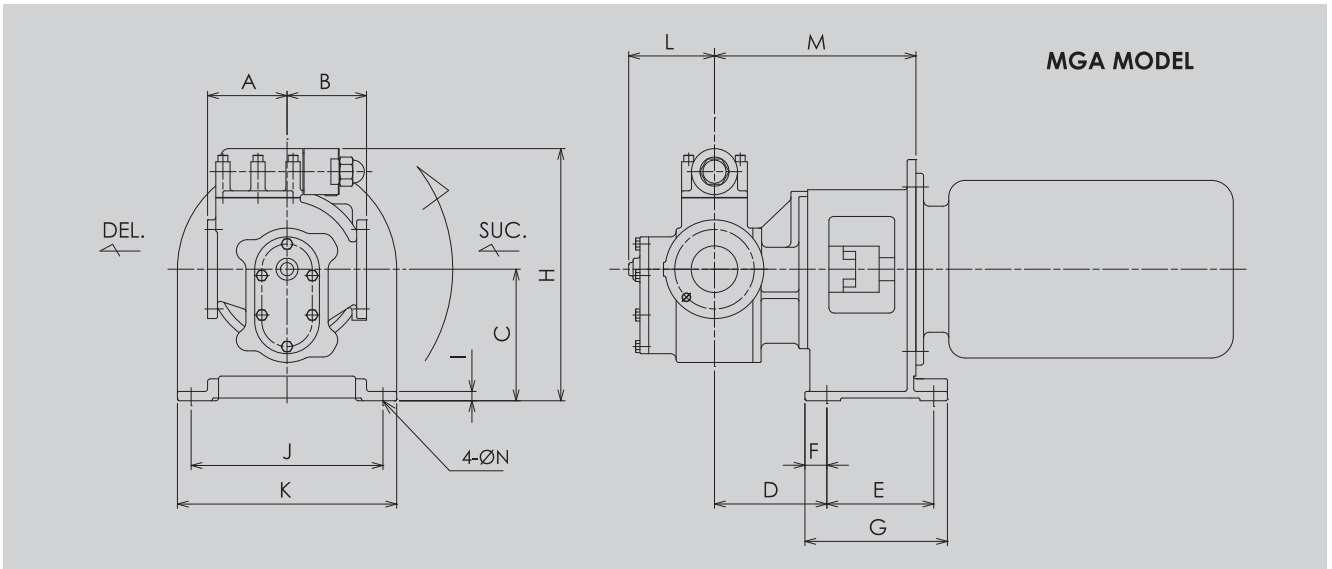
※1. Oil Viscosity : Design base for motor output



Model	Capacity (m ³ /h) (26cSt)	Motor (kW) ^{※1}		Casing Bore(JIS)		A	B	C	D	E	F	G	H	I	J	K	L	M	N	Weight (Kg)
		(260cSt)	(1000cSt)	Suc.	Del.															
MGB-1PB(S)	1	0.4	1.5	40	32	80	80	150	125	140	35	200	309	13	200	250	176	253	15	35
		0.75																		
		1.5																		
MGB-1.5PB(S)	1.5	0.75	1.5	40	32	80	80	150	125	140	35	200	309	13	200	250	176	253	15	35
		1.5																		
		1.5																		
MGB-2PB(S)	2	0.75	2.2	50	40	80	80	150	125	140	35	200	309	13	200	250	176	263	15	40
		1.5																		
		2.2																		
MGB-3PB(S)	3	1.5	2.2	65	50	91	91	200	130	195	40	260	356	13	250	300	176	323	19	55
		2.2																		
		3.7																		
MGB-4PB(S)	4	1.5	2.2	65	50	91	91	200	130	195	40	260	356	13	250	300	176	323	19	55
		2.2																		
		3.7																		
MGB-5PB(S)	5	1.5	3.7	80	65	120	120	200	147	195	40	260	361	13	250	300	176	374	19	65
		2.2																		
		3.7																		
MGB-6PB(S)	6	1.5	3.7	80	65	120	120	200	147	195	40	260	361	13	250	300	176	374	19	65
		2.2																		
		3.7																		
MGB-7.5PB(S)	7.5	2.2	5.5	80	65	120	120	200	147	195	40	260	361	13	250	300	176	374	19	65
		3.7																		
		5.5																		
MGB-10PB(S)	10	3.7	5.5	80	65	120	120	200	147	195	40	260	375	13	250	300	192	424	19	90
		5.5																		
		7.5																		
MGB-12PB(S)	12	3.7	7.5	80	65	120	120	200	147	195	40	260	375	13	250	300	192	424	19	90
		5.5																		
		7.5																		
MGB-15PB(S)	15	5.5	7.5	80	65	120	120	200	147	195	40	260	375	13	250	300	192	424	19	90
		7.5																		
		11																		

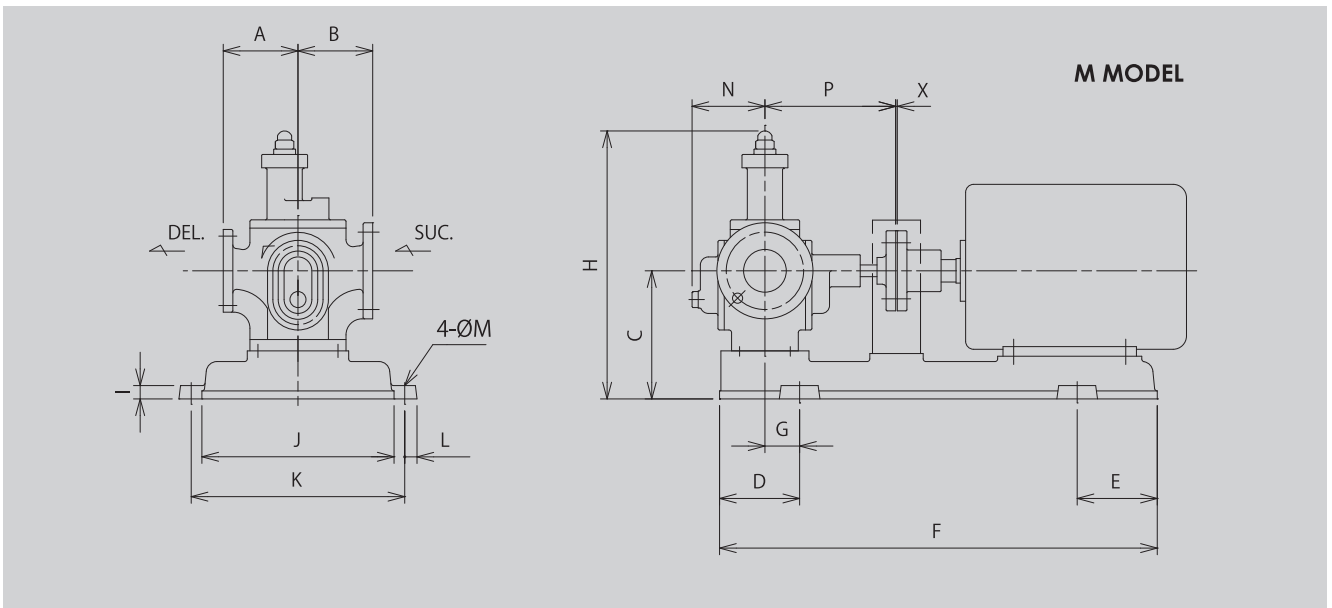
※1. Oil Viscosity : Design base for motor output

OUTLINE DRAWING



Model	Capacity (m ³ /h) (26cSt)	Motor (kW) ^{※1}		Casing Bore(JIS)		A	B	C	D	E	F	G	H	I	J	K	L	M	N	Weight (Kg)
		(260cSt)	(1000cSt)	Suc.	Del.															
MGA30-1WL	20	5.5	7.5	80	80	145	145	240	205	195	40	260	510	17	350	400	157	367.5	19	142
		7.5	11																	
MGA30-2WL	25	5.5	7.5	80	80	145	145	240	205	195	40	260	510	17	350	400	157	367.5	19	142
		7.5	11																	
		11																		
MGA30-3WL	30	5.5	7.5	80	80	145	145	240	205	195	40	260	510	17	350	400	157	367.5	19	142
		7.5	11																	
		11	15																	

※1. Oil Viscosity : Design base for motor output



Model	Capacity (m ³ /h) (26cSt)	Motor (kW) ^{※1}		Casing Bore(JIS)		A	B	C	D	E	F	G	H	I	J	K	L	M	N	P	X	Weight (Kg)
		(260cSt)	(1000cSt)	Suc.	Del.																	
M-40BL	40	11	11	150	125	190	190	330	200	200	1050	57	734	35	490	540	23	23	238	387	3	220
		15	15																			
			18.5																			
M-50BL	50	11	15	150	125	235	235	390	250	250	1150	90	789	30	450	500	25	19	225	385	3	365
		15	18.5																			
		18.5	22																			
M-65BL	65	11	18.5	150	125	235	235	390	200	250	1150	30	845	30	500	550	25	19	245	415	3	370
		15	22																			
		18.5	26																			

※1. Oil Viscosity : Design base for motor output