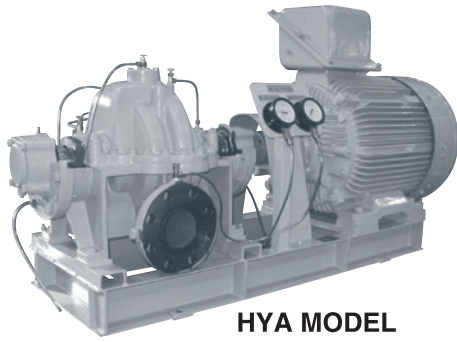


# CENTRIFUGAL PUMP

## HYA Model



HYA MODEL

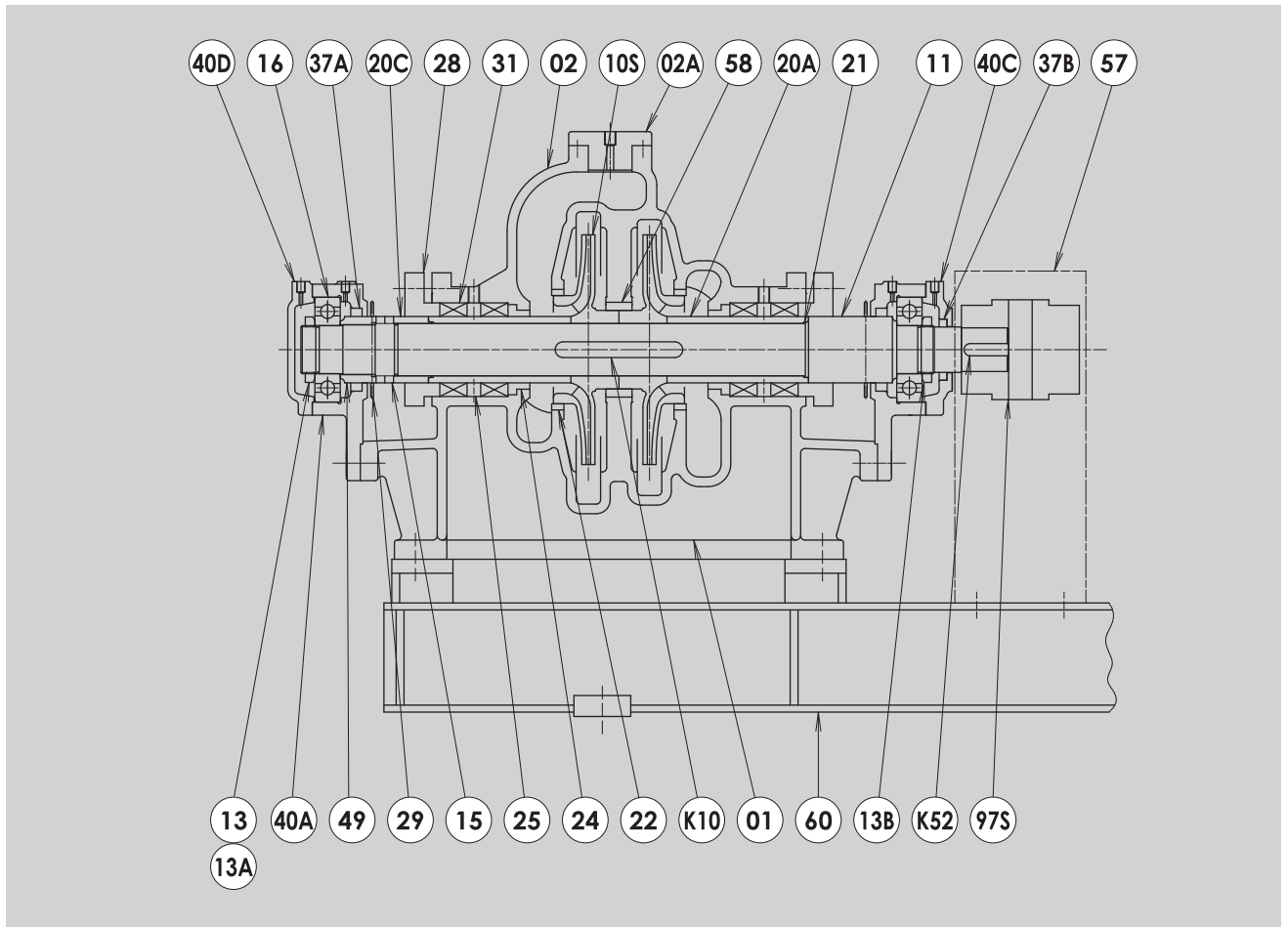
用途/Service

\* 給水ポンプ

\* その他

\* Feed Water Pump

\* Others



PART NO.	NAME OF PART	MATERIAL NOMINATION	QTY.
01	LOWER HALF CASING	Cast iron	1
02	UPPER HALF CASING	Cast iron	1
02A	CASING CAP	Cast iron	1
10S	IMPELLER COMPLETE	Phosphor Bronze Casting	2
11	PUMP SHAFT	Stainless Steel	1
13	BEARING NUT	Mild Steel	1
13A	BEARING WASHER	Mild Steel	2
13B	BEARING NUT	Mild Steel	1
15	SIEVE NUT	High Tension Brass	2
16	BALL BEARING	High Carbon bear Steel	2
20A	SHAFT SIEVE	Stainless Steel	2
20C	PACKIGN SIEVE	Stainless Steel	1
21	ORING	Synthetic Rubber	2
22	MOUTH RING	Bronze Casting	2
24	NECK BUSH	Bronze Casting	2
25	SEAL CAGE	Bronze Casting	2

PART NO.	NAME OF PART	MATERIAL NOMINATION	QTY.
28	PACKING GLAND	Bronze Casting	2
29	WATER SHELTER		2
31	GLAND PACKING	Carbonized Fiber Packing	2 SETS
37A	OIL SEAL		2
37B	OIL SEAL		1
40A	BEARING CASE	Cast iron	2
40C	BEARING COVER	Cast iron	1
40D	BEARING COVER	Cast iron	1
49	DISTANCE RING	Stainless Steel	1
57	COUPLING COVER	Mild Steel	1
58	INTERMEDIATED BUSH	Bronze Casting	1
60	COMMON BED	Mild Steel	1
97S	COUPLING COMPLETE		1 SET
K10	KEY FOR IMPELLER	Stainless Steel	1
K52	KEY FOR COUPLING	Carbon Steel	1

# HYA MODEL PERFORMANCE CHART

## HORIZONTAL TWO STAGE SINGLE SUCTION

