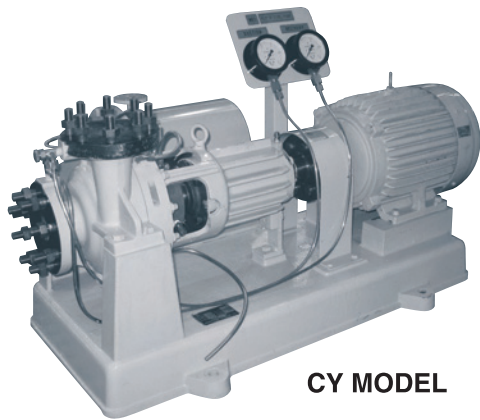


CENTRIFUGAL PUMP

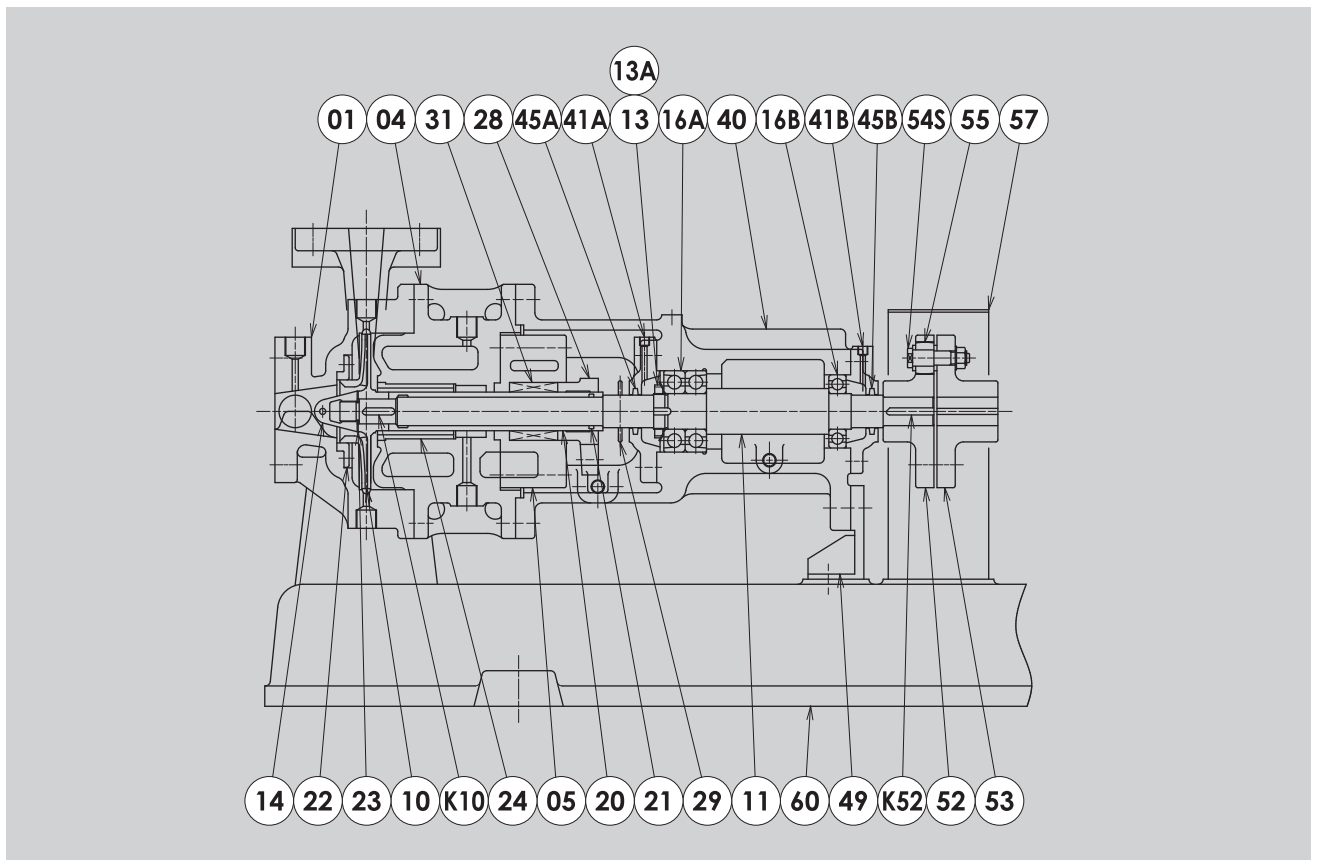
CY Model



CY MODEL

用途/Service

- * ボイラー水循環ポンプ
- * その他
- * Boiler Water Circulating Pump
- * Others



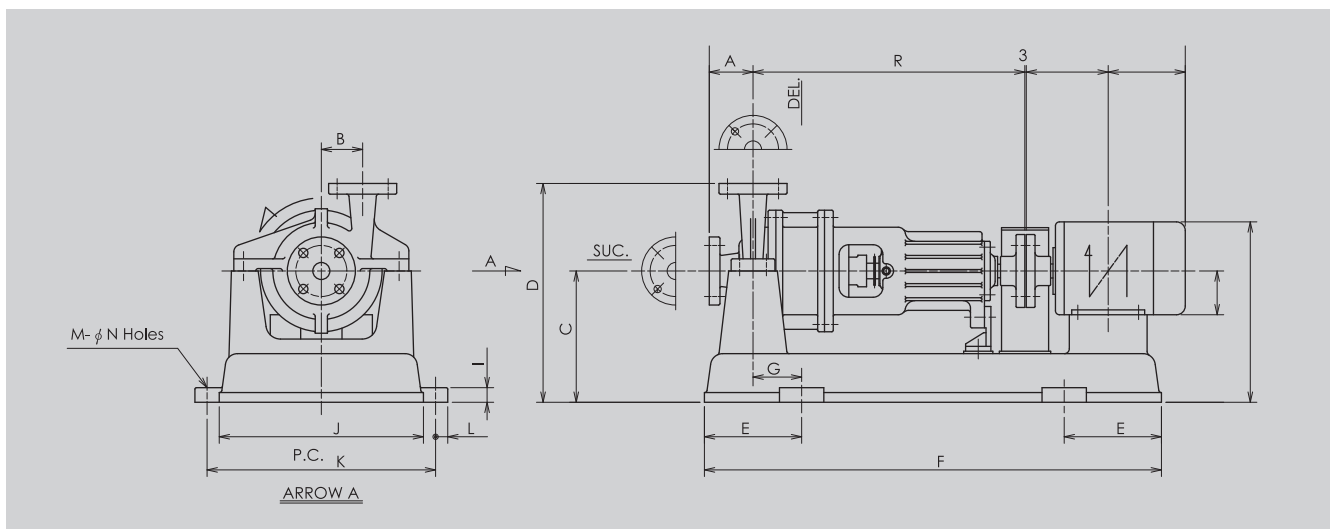
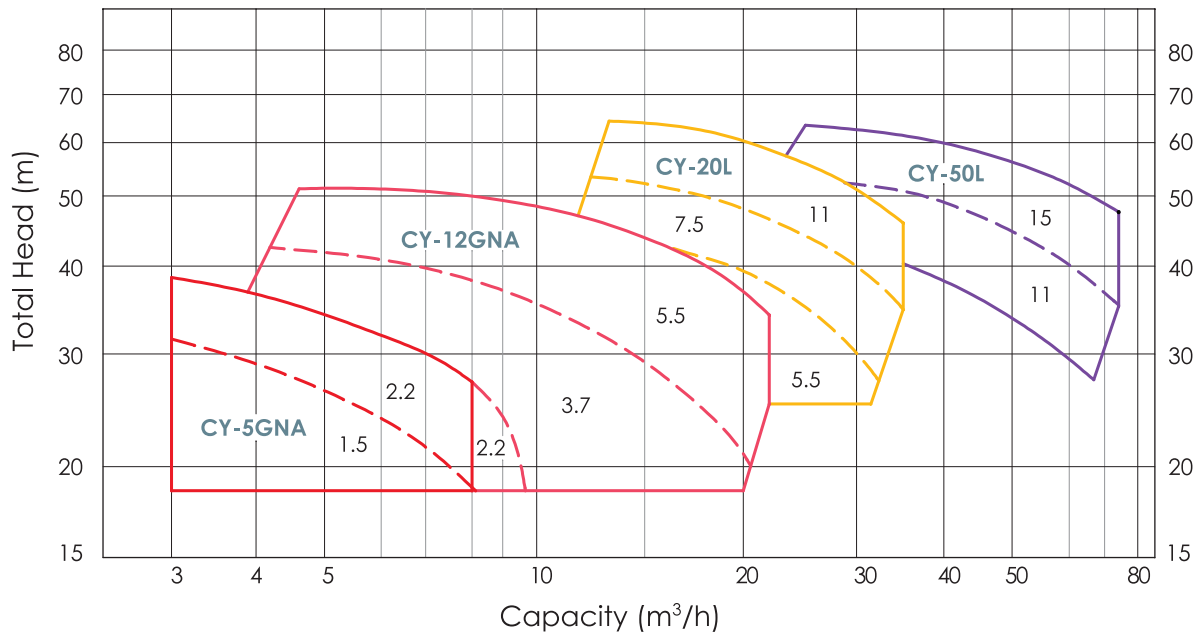
PART NO.	NAME OF PART	MATERIAL NOMINATION	QTY.
01	CASING	Ductile Cast Iron	1
04	CASING COVER	Ductile Cast Iron	1
05	PACKING BOX	Ductile Cast Iron	1
10	IMPELLER	Stainless Steel Casting	1
11	PUMP SHAFT	Stainless Steel	1
13	BEARING NUT	Mild Steel	1
13A	BEARING WASHER	Mild Steel	1
14	IMPELLER NUT	Stainless Steel	1
16A	BALL BEARING	High Carbon bear Steel	1 SET
16B	BALL BEARING	High Carbon bear Steel	1
20	SHAFT SLEEVE	Stainless Steel	1
21	O RING	Teflon	1
22	MOUTH RING	Cast Iron	1
23	IMPELLER WASHER	Stainless Steel	1
24	NECK BUSH	Mild Steel + Carbon	1
28	PACKING GLAND	Bronze Casting	1

PART NO.	NAME OF PART	MATERIAL NOMINATION	QTY.
29	WATER SHELTER	Brass	1
31	GLAND PACKING	Carbonized Fiber Packing	1 SET
40	BEARING CASE	Cast Iron	1
41A	BEARING COVER	Cast Iron	1
41B	BEARING COVER	Cast Iron	1
45A	FELT RING	Felt	1
45B	FELT RING	Felt	1
49	BEARING LEG	Mild Steel	1
52	FLEXIBLE COUPLING	Cast Iron	1
53	FLEXIBLE COUPLING	Cast Iron	1
54S	COUPLING BOLT COMPLETE	Mild Steel	1 SET
55	BUFFER RING	Synthetic Rubber	1 SET
57	COUPLING COVER	Mild Steel	1
60	COMMON BED	Cast Iron	1
K10	KEY FOR IMPELLER	Stainless Steel	1
K52	KEY FOR COUPLING	Carbon Steel	1

CY MODEL PERFORMANCE CHART

HORIZONTAL SINGLE STAGE SINGLE SUCTION

3600 min⁻¹



Dimensions : mm

Model	Motor (kW)	Bore(JIS) Suc.	Bore(JIS) Del.	A	B	C	D	E	F	G	I	J	K	L	M	N	R	Mass (kg)
■ CY-5GNA	1.5	32	32	90	85	270	450	200	940	100	30	420	470	25	4	19	559	145
	2.2								940									
■ CY-12GNA	3.7	50	50	100	90	270	450	200	1020	100	30	420	470	25	4	19	559	150
	5.5																	
■ CY-20L	5.5						520		1300						4			265
	7.5	65	65	110	110	350		250		160	30	450	500	25		19	675	280
	11						550		1450						6			
■ CY-50L	11	100	100	120	120	350	580	250	1450	160	30	450	500	25	6	19	681	310
	15																	